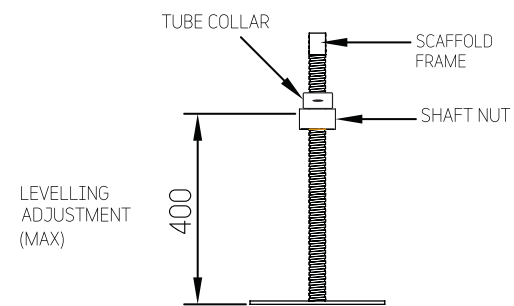
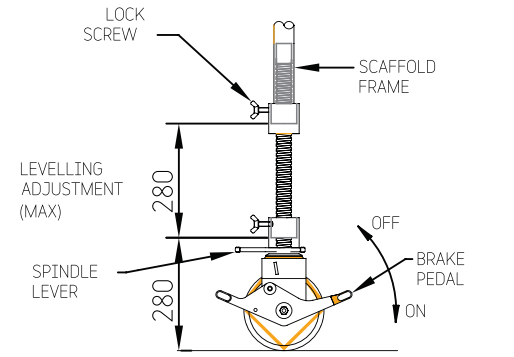
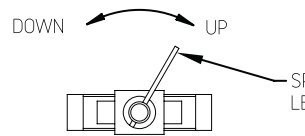
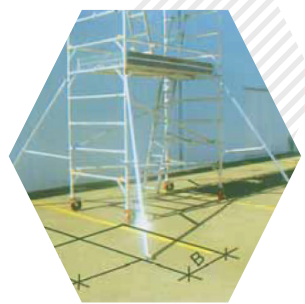


10. For multiple intermediate sections, repeat steps 7 & 8. Add intermediate ladder per level.

11. Fix (2) guard rails frames at ends.

12. Add (4) horizontal braces (orange) to last two rungs.

13. Raise fixed platform then the hinged one as shown.



14. Add (2) diagonal braces (blue) as shown. Hook top ladder to top rung & fix ladder braces to 2nd rail above the lower platform.

15. Outriggers must be fitted to all mobile scaffolds when working platform height is 3 times the minimum width of base unit.

16. Frame height can be adjusted by rotating the spindle lever - by hand.

SCAFFOLD HEIGHTS	LENGTHS REQUIRED		OUTRIGGER FOOT POSITION	
	OUTRIGGER	BRACE	A	B
UP TO 6.0m	2400	700	1200	600

- > Locate position of outrigger foot from chart above
- > Attach outrigger to vertical frame member
- > Finally attach brace to vertical frame member
- > Tighten all wingnuts

NOTES FOR YOUR SAFETY:

- > **Do not** use substitutes - for your safety, use Ullrich Aluminium scaffold components only.
- > **Do not** erect a scaffold over 4m high unless you are certified.
- > **Do not** load scaffold in excess of 225kg.
- > **Do not** move scaffold with a person on the platform.
- > **Do not** erect scaffold within 4.9m of power lines.
- > **Do not** climb on guard rail frames.

- > **Do** follow erection guide.
- > **Do** lock wheels before erection.
- > **Do** level base before erection.
- > **Do** install outrigger as per step 15.
- > **Do** install ladders to inside of tower.
- > **Do** install guard rails on every work platform
- > **Do** wear hard hats and relevant protection equipment.

THERE'S AN ULLRICH ALUMINIUM BRANCH NEAR YOU

NEW SOUTH WALES

Sydney General Enquiries:
185-187 Woodpark Road
Smithfield, NSW 2164
+61 (2) 8787 7400

Sydney Fabrication:
185-187 Woodpark Road
Smithfield, NSW 2164
+61 (2) 8787 7468

Sydney South:
15 Blackmore Road
Smeaton Grange, NSW 2567
+61 (2) 4646 2200

Kurri Kurri:
HEZ Extrusion Plant
Lot 1, Bromage Road
HEZ Industrial Estate
Kurri Kurri, NSW 2327
+61 (2) 4015 6800

Newcastle:
6 Steel River Boulevard
Mayfield West, NSW 2304
+61 (2) 4949 2600

Bathurst:
10 Bradwardine Road
Robin Hill, NSW 2795
+61 (2) 6339 8900

Coffs Harbour:
13 Cook Drive
Coffs Harbour, NSW 2450
+61 (2) 6690 2400

SOUTH EAST QUEENSLAND

Brisbane:
20 Ron Boyle Crescent
Carole Park, QLD 4300
+61 (7) 3718 1400

Banyo:
40 Buchanan Road
Banyo, QLD 4014
+61 (7) 3335 6700

Caloundra:
37 Enterprise Street
Caloundra, QLD 4551
+61 (7) 5390 7600

Gold Coast:
24 Township Drive
West Burleigh, QLD 4219
+61 (7) 5586 1500

QUEENSLAND

Cairns:
16 Spoto Street
Woree, QLD 4868
+61 (7) 4252 3200

Townsville:
5 Whitehouse Street
Garbutt, QLD 4814
+61 (7) 4720 7100

Mackay:
105-111 Maggiolo drive
Paget, QLD 4740
+61 (7) 4864 2100

Rockhampton:
103 Stanley Street
Rockhampton, QLD 4700
+61 (7) 4923 8600

Wide Bay:
48B Lower Mountain Road
Dundowran, QLD 4655
+61 (7) 4196 9000

NORTHERN TERRITORY

Darwin:
114 Reichardt Road
Winnellie, NT 0820
+61 (8) 7929 8400

WESTERN AUSTRALIA

Perth:
17 King Street
Bayswater, WA 6053
+61 (8) 9473 4700

Bunbury:
33 Clifford Street
Halifax, WA 6230
+61 (8) 9796 4200

TASMANIA

Launceston:
86 Invermay Road
Launceston, TAS 7250
+61 (3) 6327 8600

Hobart:
123 Albert Rd
Moonah, TAS 7009
+61 (3) 6278 0000

VICTORIA

Melbourne:
893 Princes Highway
Springvale, VIC 3171
+61 (3) 9567 7200

SOUTH AUSTRALIA

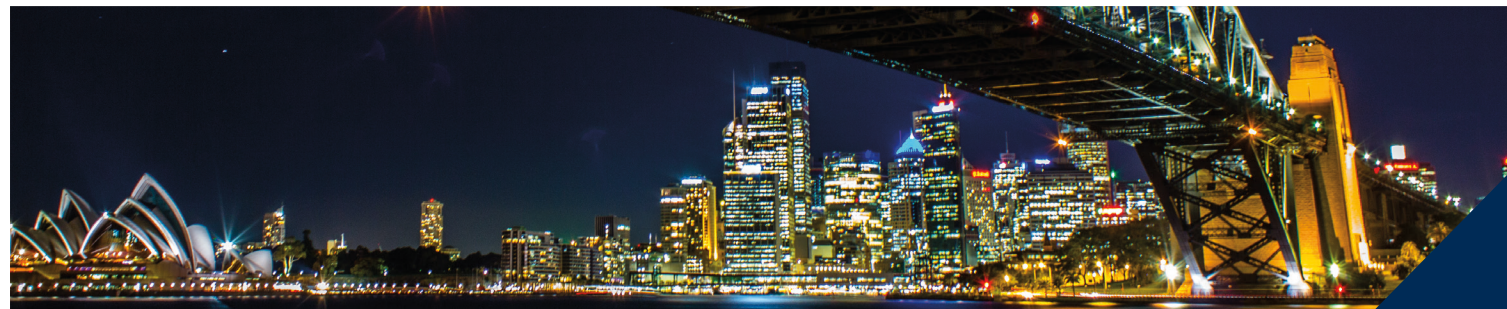
Adelaide:
57 Diagonal Road
Pooraka, SA 5095
+61 (8) 8300 2500

ACT REGION

Canberra:
12 Sawmill Circuit
Hume, ACT 2620
+61 (2) 6243 9700

Albury-Wodonga
28 Fallon Street
Albury, NSW 2640
+61 (2) 6049 9800

➔ SERIES - 900, 1350, 1500



> DESIGN

Ullrich Aluminium mobile scaffolds have been designed and manufactured to comply with Australia/New Zealand standard AS/NZS 1576.1:2010.

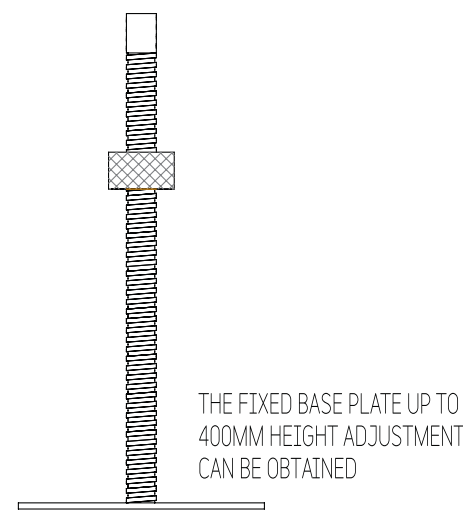
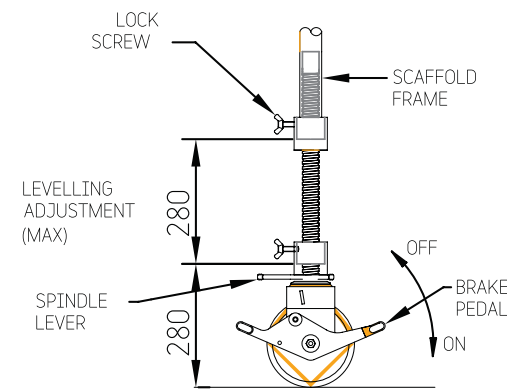
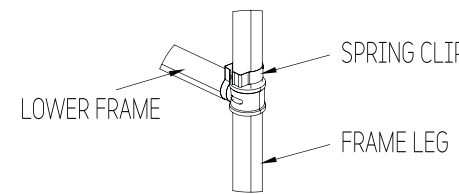
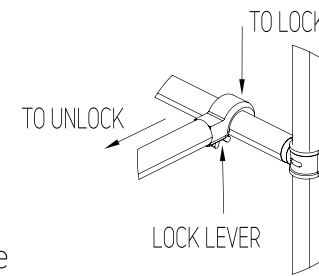
The lightweight aluminium components can easily be erected and dismantled without the aid of special tools.

> RANGE

A range of frame widths is available from 900mm, 1350mm and 1500mm. With corresponding lengths of 1800mm, 2400mm, 3000mm and a maximum working height of 6.27m.

> FEATURES

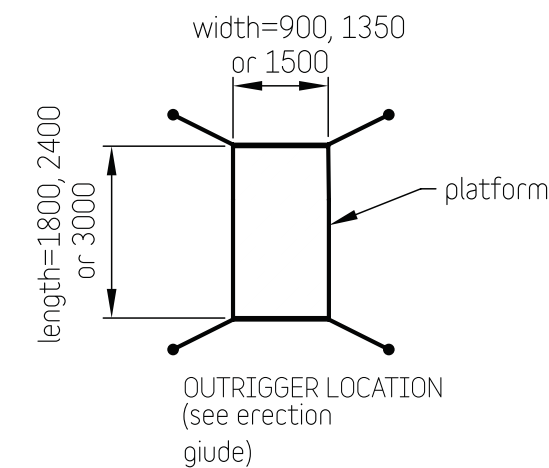
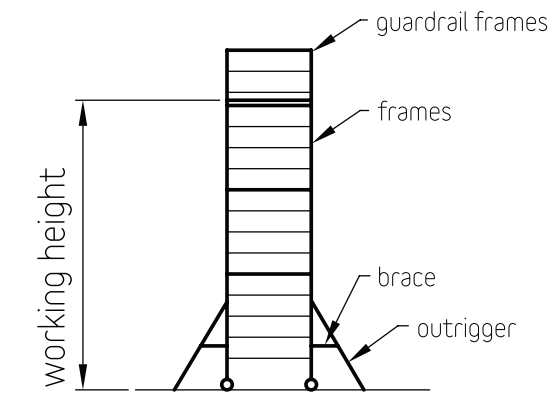
- > Lightweight and simple to erect
- > For flexibility two outriggers are available
- > Swivel castor wheels make it easy to manoeuvre
- > Foot operated lever makes it simple to lock wheels
- > Threaded wheel spindle making height adjustment simple
- > Wheel is contained in frame by lock screw



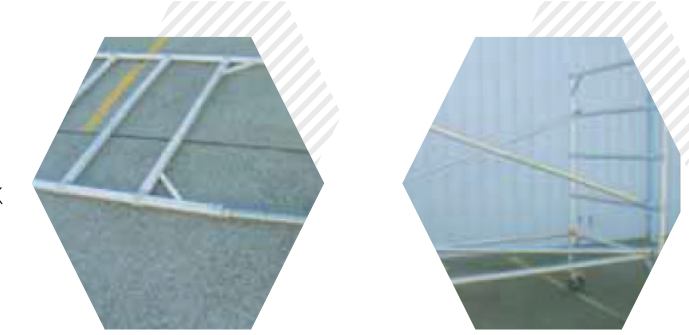
MOBILE SCAFFOLD - SPECIFICATIONS

OUTRIGGER AND FRAME SELECTION CHART FOR REQUIRED PLATFORM HEIGHTS AND SIZES

MAX. WORKING HEIGHT	PLATFORM SIZE (WIDTH X LENGTH)	OUTRIGGER LENGTH	NO. AND HEIGHT OF FRAMES
2.27M	900 x 1800	NO OUTRIGGER	1 x 2000
	900 x 2400		
	900 x 3000		
	1350 x 1800		
	1350 x 2400		
	1350 x 3000		
4.27M	1500 x 1800	2400	2 x 2000
	1500 x 2400		
	1500 x 3000		
	1350 x 1800		
	1350 x 2400		
	1350 x 3000		
6.27M	1500 x 1800	3000	3 x 2000
	1500 x 2400		
	1500 x 3000		
	1350 x 1800		
	1350 x 2400		
	1350 x 3000		



1. Lay main frames on floor and insert wheel assembly. (Make sure lock screw clears the frame casting).



2. After inserting - finger tighten lock screw. Lock wheel brake.



3. Stand frame up and attach 'plan' brace (red hooks) to vertical tube at 'a' above bottom hung. Lower brace to ground.



Frame is now self supporting!

4. Raise 2nd frame and attach 'plan' brace (red hooks) at 'b'.



5. Attach 2 horizontal braces (orange) to bottom rung of frame with claw facing down.



6. Attach 2 diagonal braces (blue) to 2nd & 4th rung of frame with claw facing down. Level the unit by turning the lever on the wheel spindle.

7. Attach the fixed platform to the 3rd rung before attempting to insert the extensions. Insert frames (2) as shown.

8. Raised the fixed platform (from rung 3 to 5 and add hinged platform to rung 5).

> Attach (2) horizontal braces (orange).

> Attach (2) diagonal braces (blue) as shown.

9. Hook bottom ladder to the 8th rung and attach ladder braces to 2nd rung.

- > Safe Working Load - 225kg Total
- > Frame Heights - 2000mm
- > Wheel Height - 275mm
- > Wheel Levelling Adjustment - 280mm
- > Guardrail Height - 1085mm

NOTE:

- > Greater heights can be achieved if towers are fixed to a solid structure in an approved manner
- > Outriggers **MUST BE USED** when tower height exceeds three times the width of the base (See erection guide)