

LOUVRE SYSTEM



LOUVRE SYSTEMS



PRODUCT
CATALOGUE



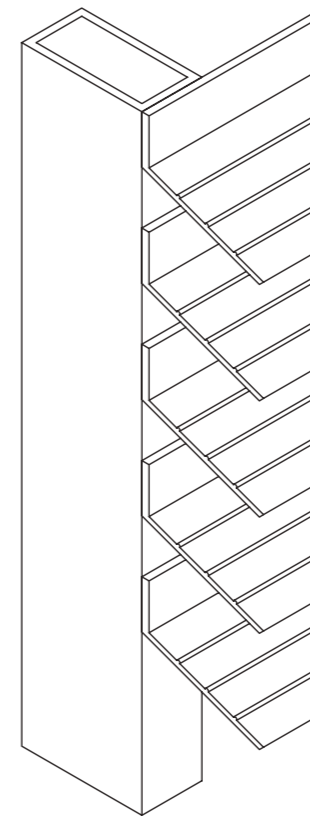
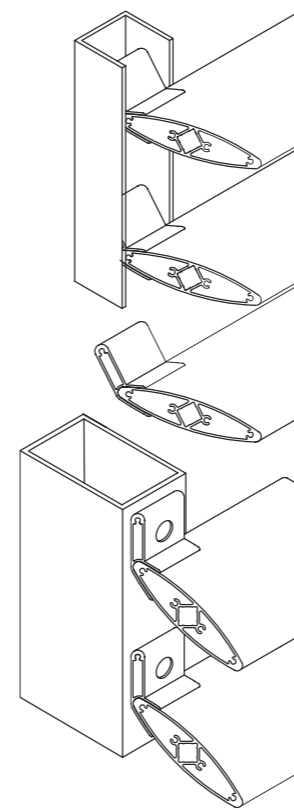
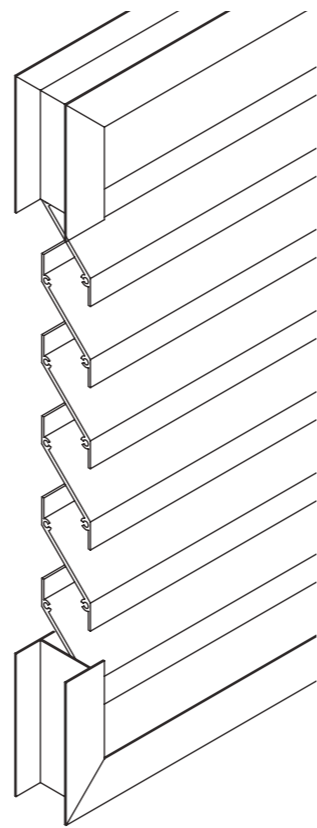
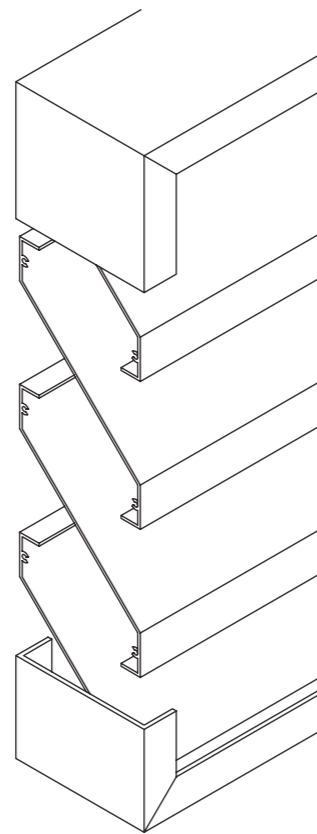
ULLRICH ALUMINIUM



We design and construct clever, robust Aluminium Louvre Systems

Ullrich Aluminium is Australia's premier supplier to the building industry and your partner for specialist extrusion solutions.

We specialise in the very best louvre solutions to suit your needs and application.



Quality / Service / Integrity

Ullrich Aluminium Louvre Systems

Where do you want to go >

MODEL UL3101 & UL3102

MODEL UL1368

MODEL UL1089

MODEL UL1661

MODEL UL7173

MODEL UL1572B

MODEL UL3101B/UL3102B

MODEL UL5354V/UL5354H

TYPICAL FIXING DETAILS

more information

View more of our extensive range on our website
www.ullrich.com.au

MODEL UL3101 & UL3102

MODEL

UL3101 & UL3102

APPLICATION

Industrial plant rooms, car parks, general ventilation and screening.

MATERIAL

All blades are extruded from 6000 series aluminium alloy. All screws and rivets are stainless steel.

FINISH

Louvre components can be supplied in either mill, anodised or powder-coated finish.

SIZES

Can be manufactured to suit opening up to 6000mm high x 2000mm wide. Width can be increased by adding stiffener bar.

(See fabrication drawing)

TO SPECIFY

Louvres shall be Ullrich Aluminium model UL3101 or UL3102 complete with bird screen (as required), blade pitches to suit opening.

Finishing - see above.

Installation shall be as per manufacturers recommendations.

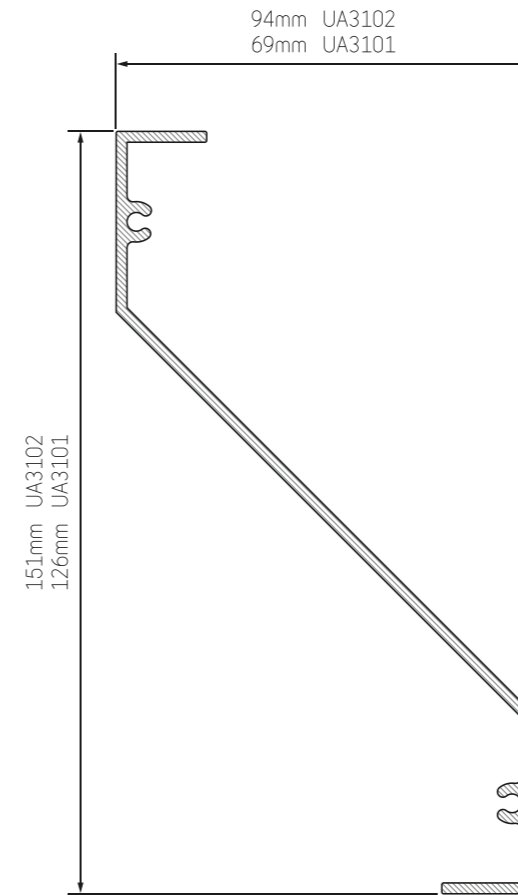
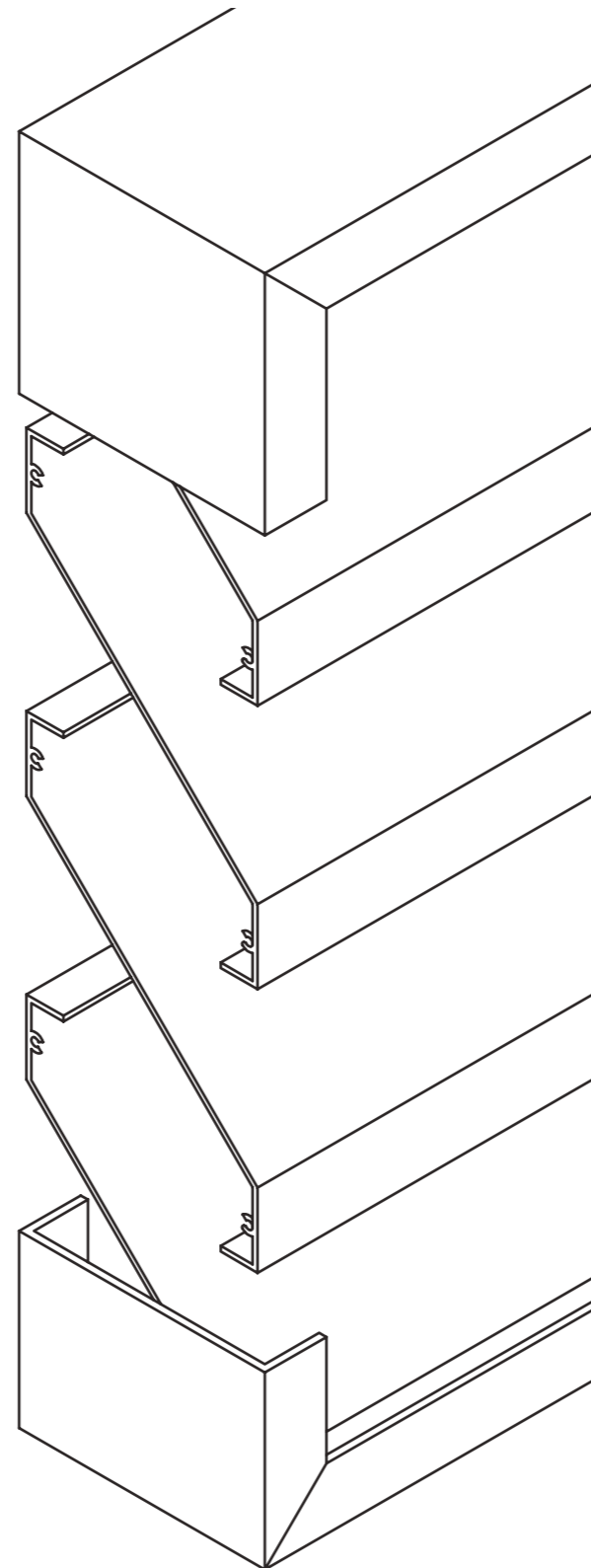
- For typical fixing details see page 21

FREE AIR

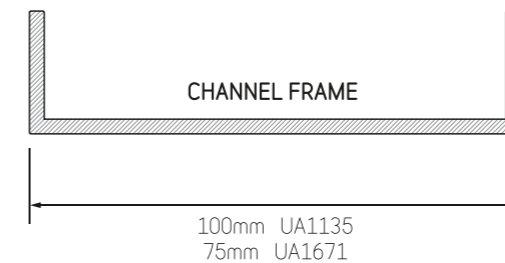
UL3101 = 39%

UL3102 = 39%

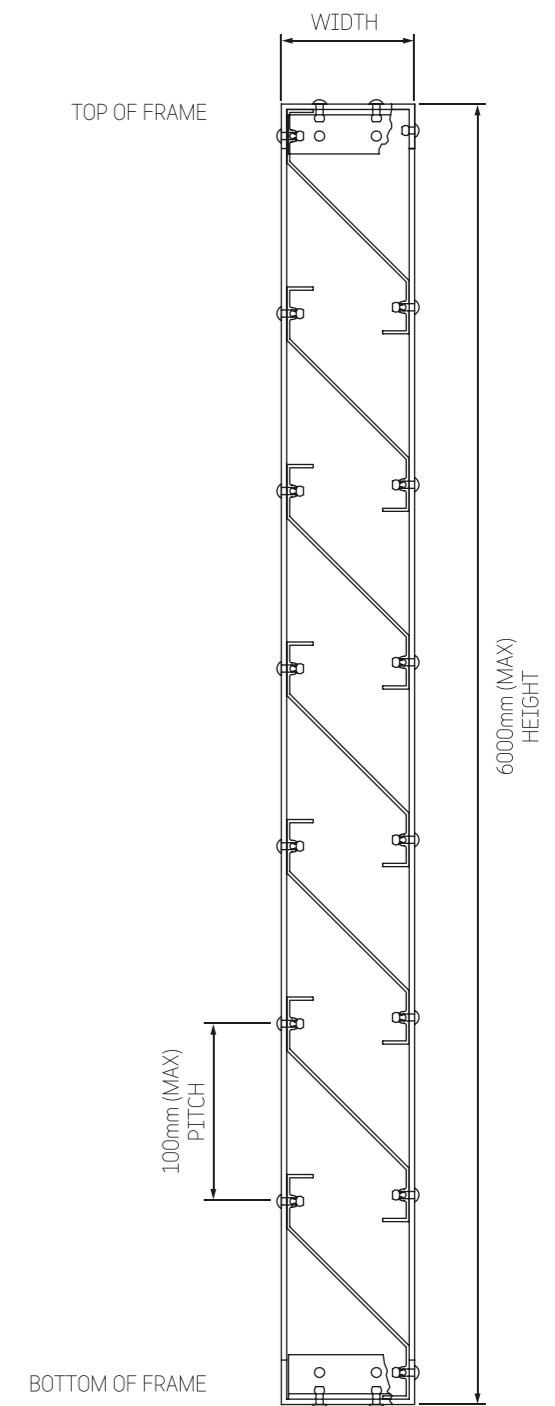
MODEL UL3101 & UL3102



LOUVRE BLADE
UA3101 - 69mm
UA3102 - 94mm



CHANNEL FRAME



NOTE

- > Pitch can be varied to suit height
 - > Louvre blade can either be screw fixed or riveted
 - > 2000mm max width
 - > Width can be increased by using stiffener bar
- See fabrication drawings.

MODEL UL1368

MODEL

UL1368

APPLICATION

Vertical screens, industrial, generally light applications.

MATERIAL

All blades are extruded from 6000 series aluminium alloy.

All screws and rivets are stainless steel.

FINISH

Louvre components can be supplied in either mill, anodised or powder-coated finish.

SIZES

Can be manufactured to suit opening up to 6000mm high x 2000mm wide. Width can be increased by adding stiffener bar.

(See fabrication drawing)

TO SPECIFY

Louvres shall be Ullrich Aluminium model UL1068 complete with bird screen (as required), blade pitches to suit opening.

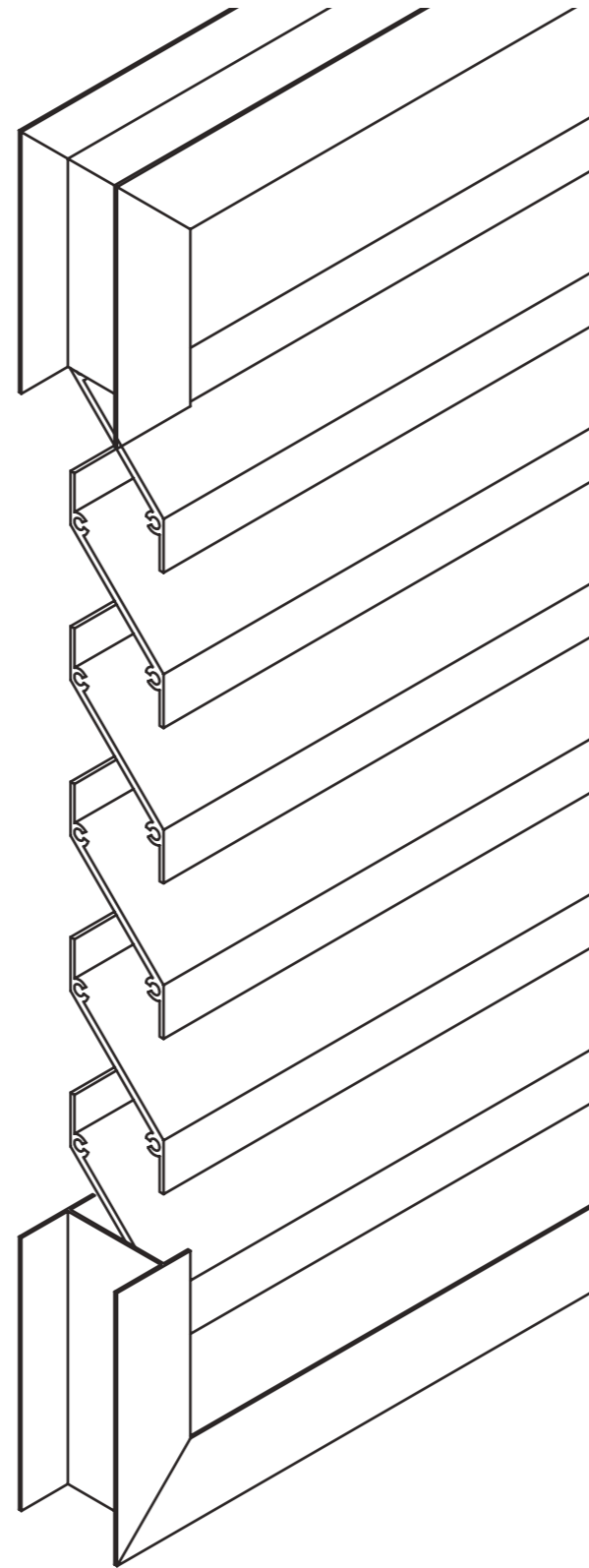
Finishing - see above.

Installation shall be as per manufacturers recommendations.

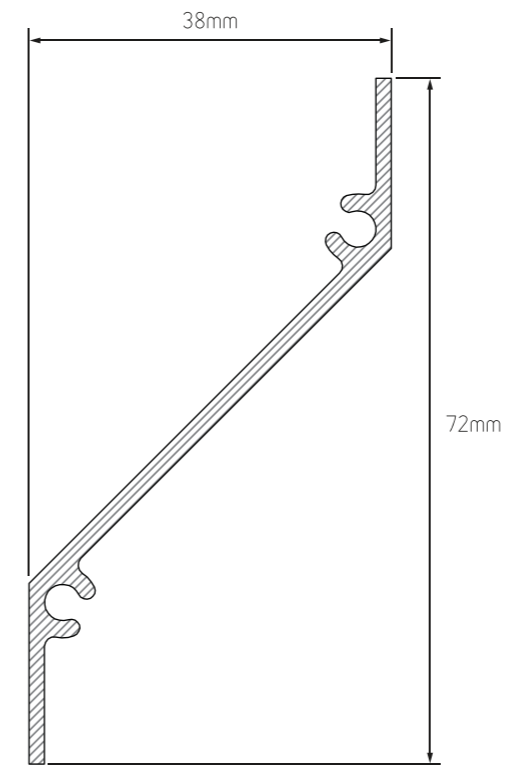
- For typical fixing details see page 21

FREE AIR

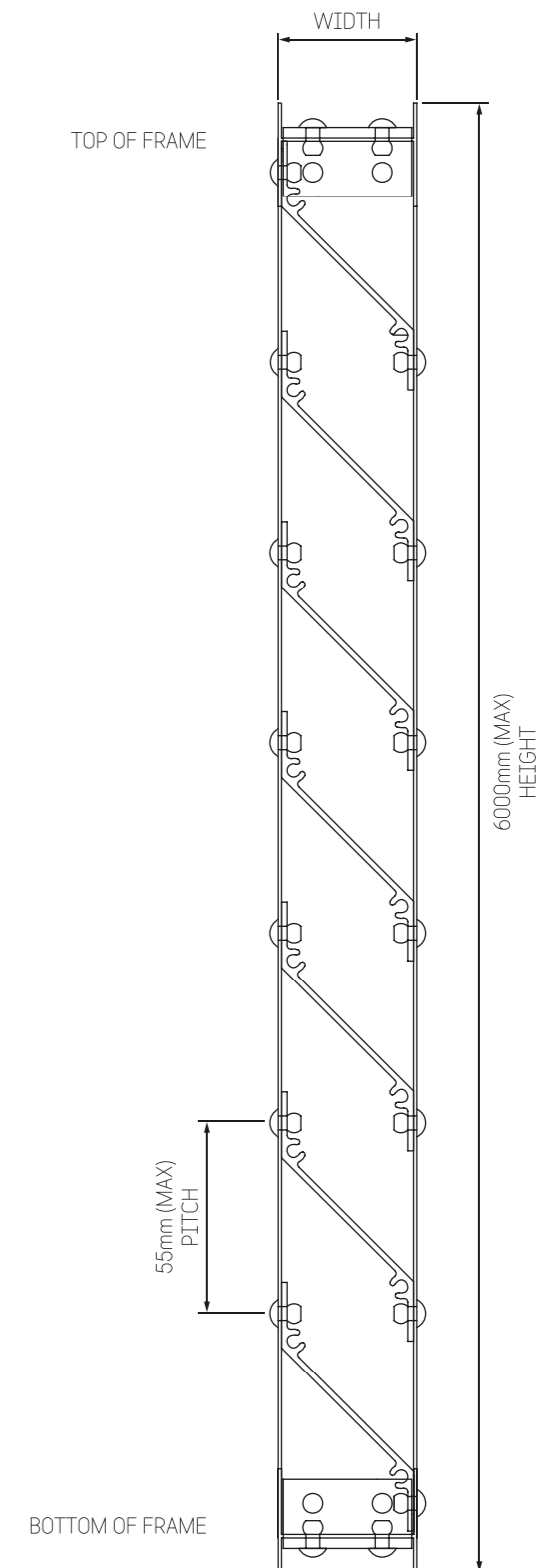
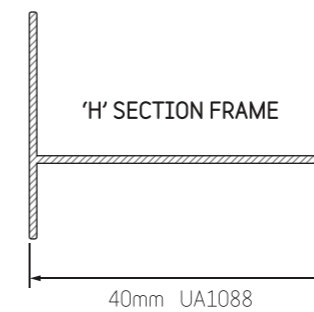
UL1368 = 46%



MODEL UL1368



LOUVRE BLADE
UA1368



NOTE

- > Pitch can be varied to suit height
 - > Louvre blade can either be screw fixed or riveted
 - > 2000mm max width
 - > Width can be increased by using stiffener bar
- See fabrication drawings.

MODEL UL1089

MODEL

UL1089

APPLICATION

Vertical screens, industrial, generally light applications.

MATERIAL

All blades are extruded from 6000 series aluminium alloy.

All screws and rivets are stainless steel.

FINISH

Louvre components can be supplied in either mill, anodised or powder-coated finish.

SIZES

Can be manufactured to suit opening up to 6000mm high x 2000mm wide. Width can be increased by adding stiffener bar.

(See fabrication drawing)

TO SPECIFY

Louvres shall be Ullrich Aluminium model UL1089 complete with bird screen (as required), blade pitches to suit opening.

Finishing - see above.

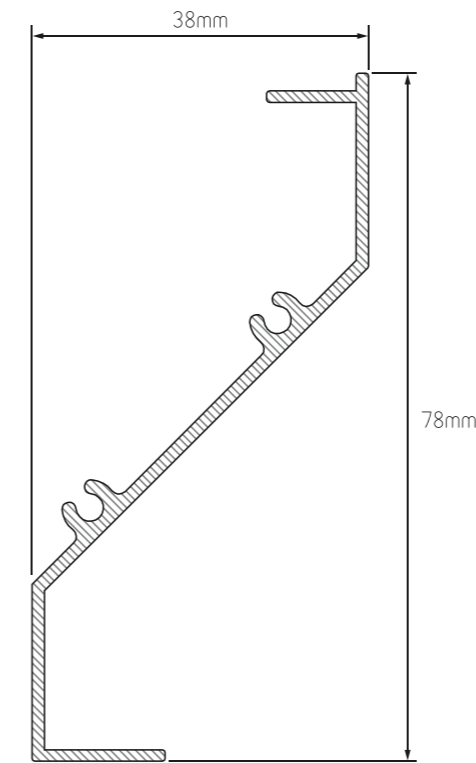
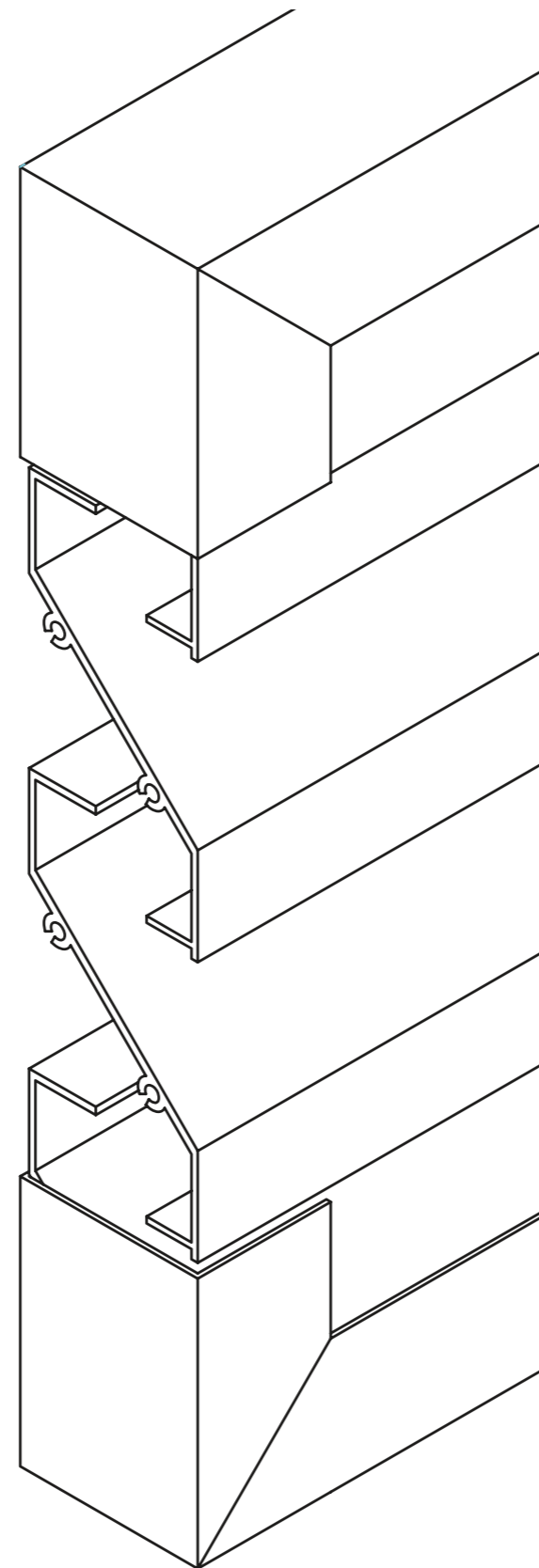
Installation shall be as per manufacturers recommendations.

- For typical fixing details see page 21

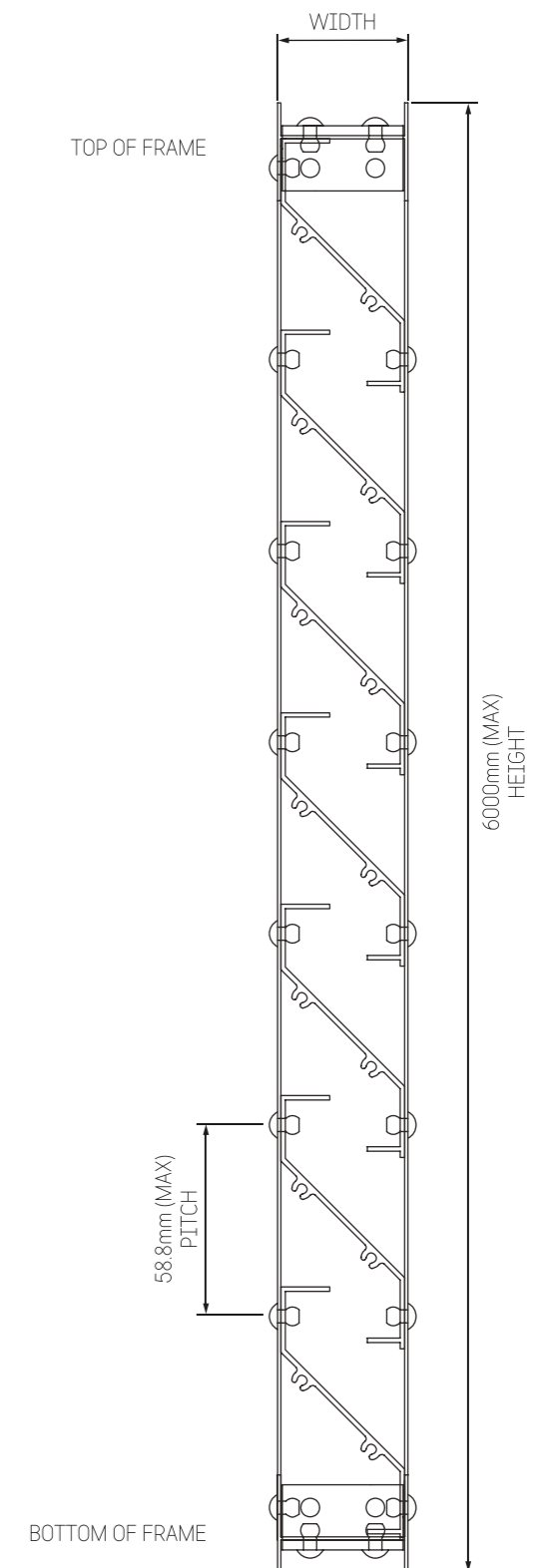
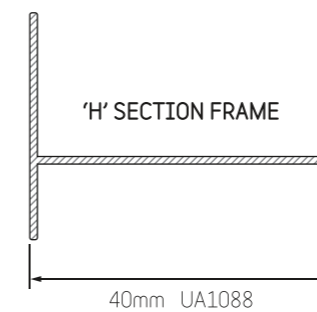
FREE AIR

UL1089 = 31%

MODEL UL1089



LOUVRE BLADE
UA1089



NOTE

- > Pitch can be varied to suit height
- > Louvre blade can either be screw fixed or riveted
- > 2000mm max width
- > Width can be increased by using stiffener bar
See fabrication drawings.

MODEL UL1661

MODEL

UL1661

APPLICATION

Vertical screens, industrial, generally light applications.

MATERIAL

All blades are extruded from 6000 series aluminium alloy.

All screws and rivets are stainless steel.

FINISH

Louvre components can be supplied in either mill, anodised or powder-coated finish.

SIZES

Can be manufactured to suit opening up to 6000mm high x 2000mm wide. Width can be increased by adding stiffener bar.

(See fabrication drawing)

TO SPECIFY

Louvres shall be Ullrich Aluminium model UL1661 complete with bird screen (as required), blade pitches to suit opening.

Finishing - see above.

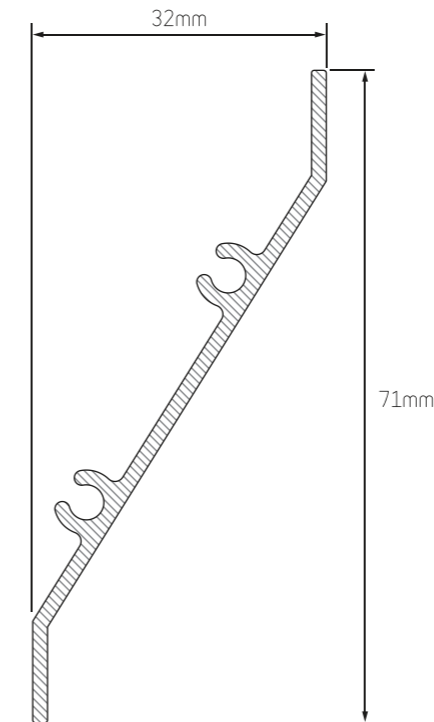
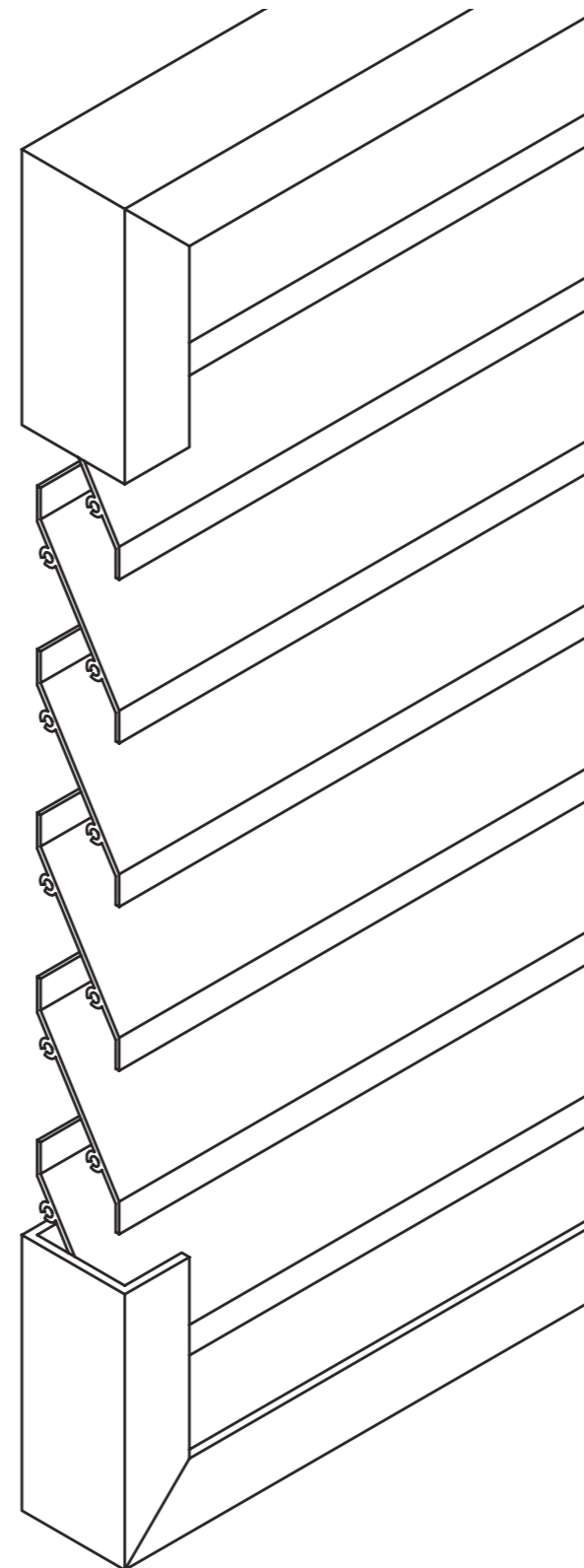
Installation shall be as per manufacturers recommendations.

- For typical fixing details see page 21

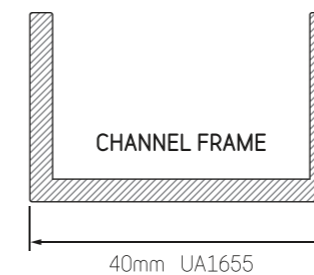
FREE AIR

UL1661 = 35%

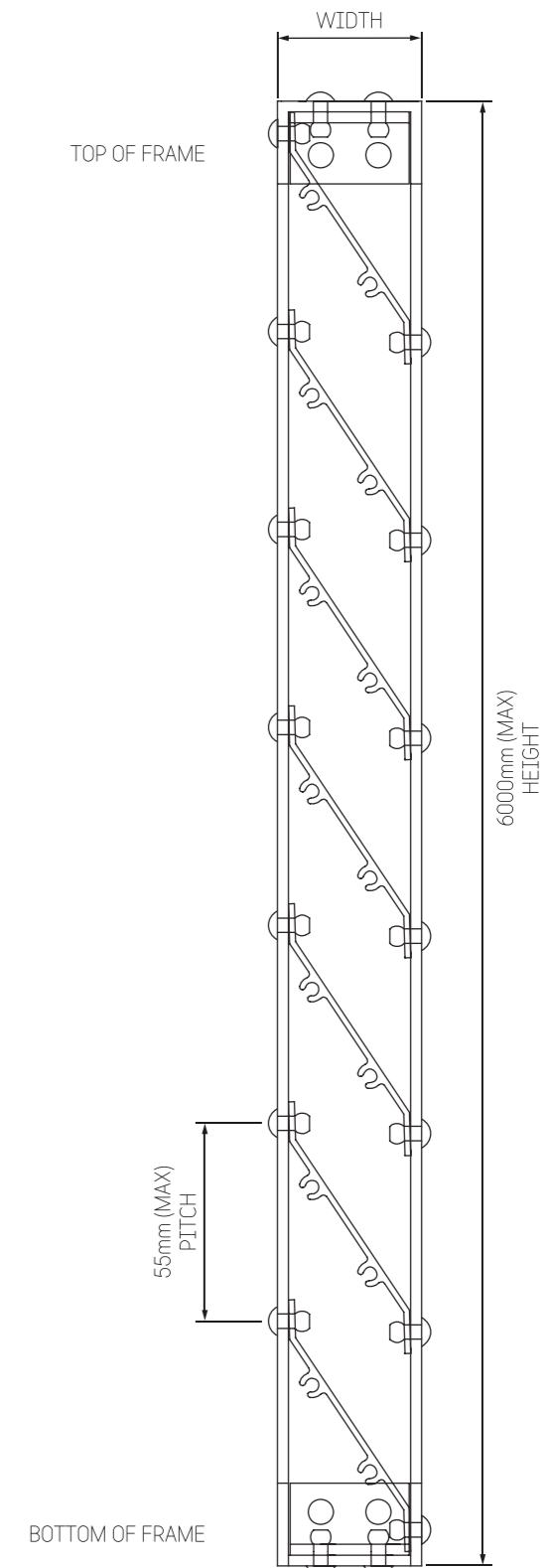
MODEL UL1661



LOUVRE BLADE
UA1661



CHANNEL FRAME
UA1655



NOTE

- > Pitch can be varied to suit height
 - > Louvre blade can either be screw fixed or riveted
 - > 2000mm max width
 - > Width can be increased by using stiffener bar
- See fabrication drawings.

MODEL UL7173

MODEL

UL7173

APPLICATION

Vertical screens, industrial, generally light applications.

MATERIAL

All blades are extruded from 6000 series aluminium alloy.

All screws and rivets are stainless steel.

FINISH

Louvre components can be supplied in either mill, anodised or powder-coated finish.

SIZES

Can be manufactured to suit opening up to 6000mm high x 2000mm wide.

TO SPECIFY

Louvres shall be Ullrich Aluminium model UL7173 complete with bird screen (as required), blade pitches to suit opening.

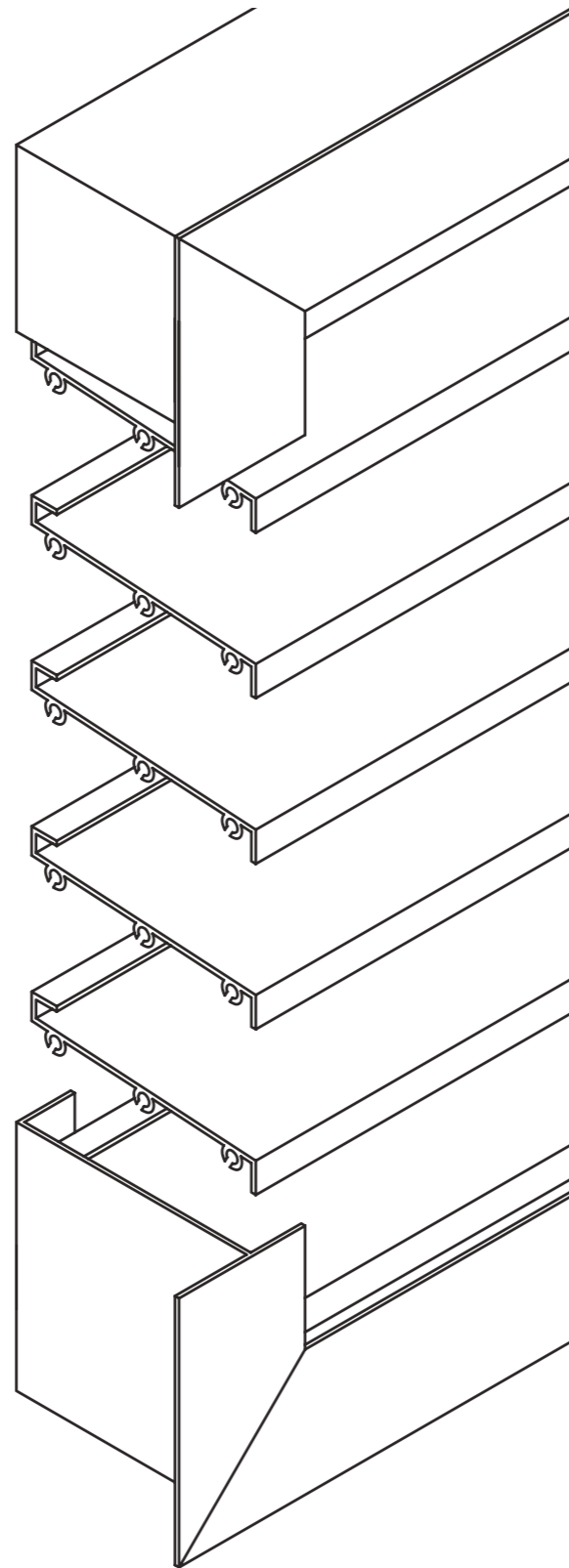
Finishing - see above.

Installation shall be as per manufacturers recommendations.

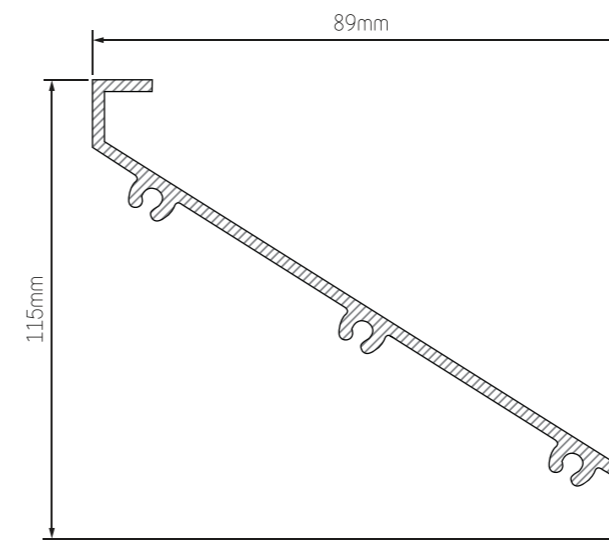
- For typical fixing details see page 21

FREE AIR

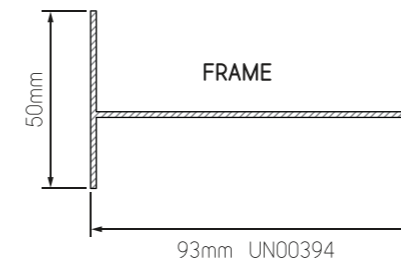
UL7173 = 59%



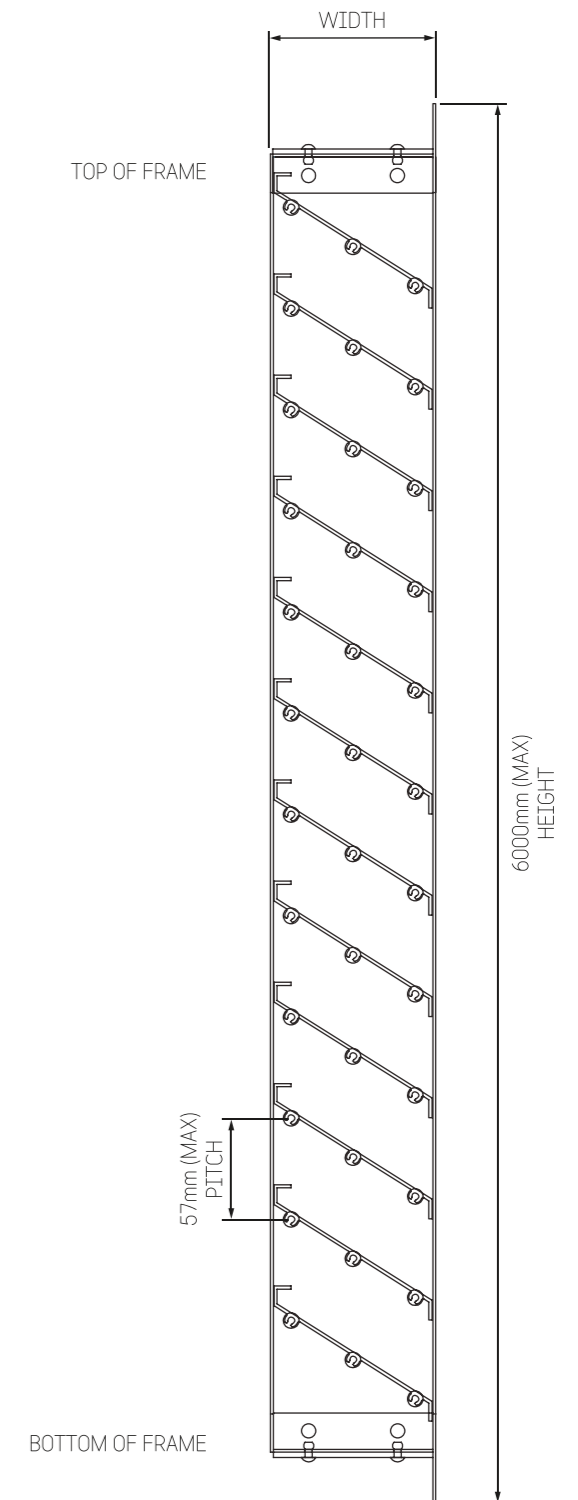
MODEL UL7173



LOUVRE BLADE
AS7173



FRAME



NOTE

- > Pitch can be varied to suit height
- > Louvre blade can either be screw fixed or riveted
- > 2000mm max width
- > Width can be increased by using stiffener bar
See fabrication drawings.

MODEL UL1572B

MODEL

UL1572B

APPLICATION

Vertical screens - sun/wind protection only

MATERIAL

All blades are extruded from 6000 series aluminium alloy.

All screws and rivets are stainless steel.

FINISH

Louvre components can be supplied in either mill, anodised or powder-coated finish.

SIZES

Can be manufactured to suit opening up to 6000mm high x 2000mm wide.

TO SPECIFY

Louvres shall be Ullrich Aluminium model UL1572B, blade pitches to suit opening.

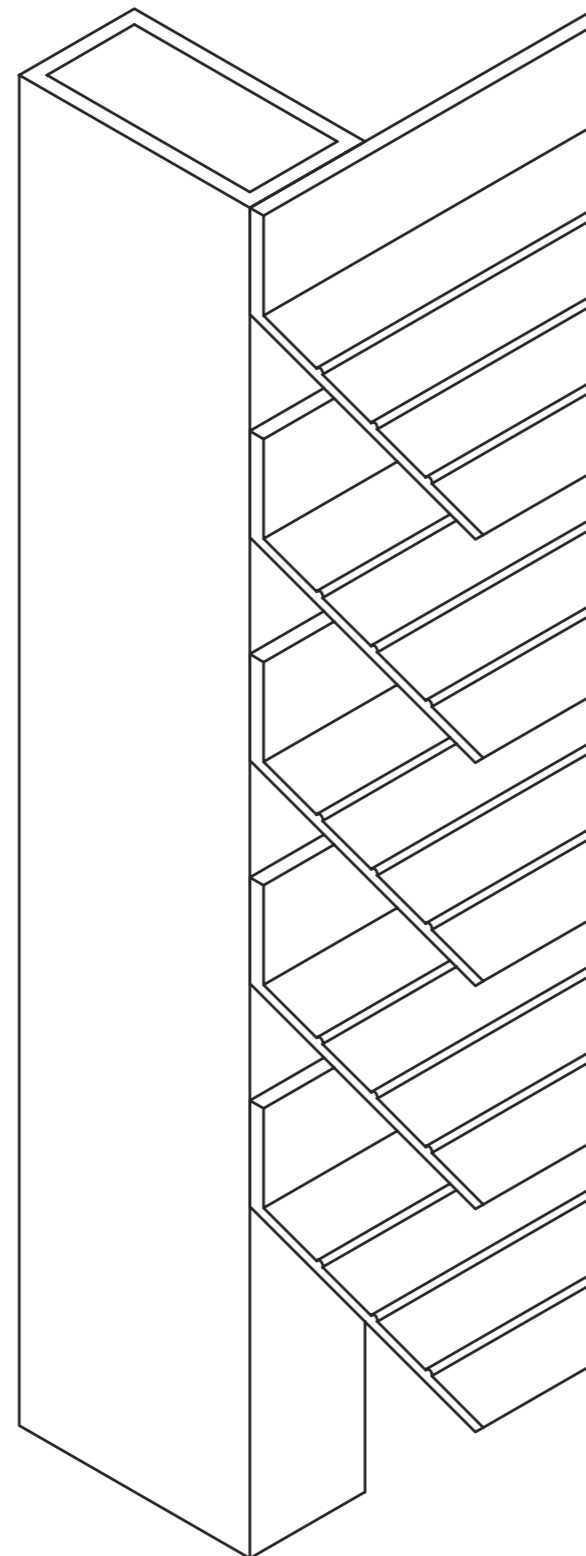
Finishing - see above.

Installation shall be as per manufacturers recommendations.

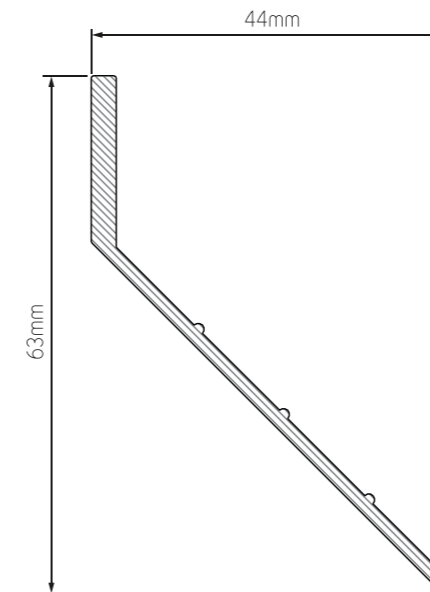
- For typical fixing details see page 21

FREE AIR

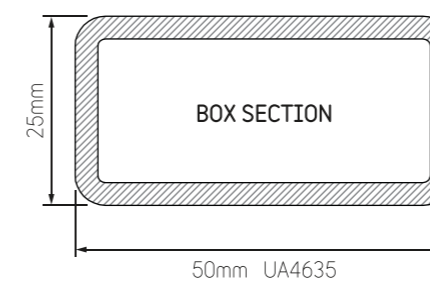
UL1572B = 33%



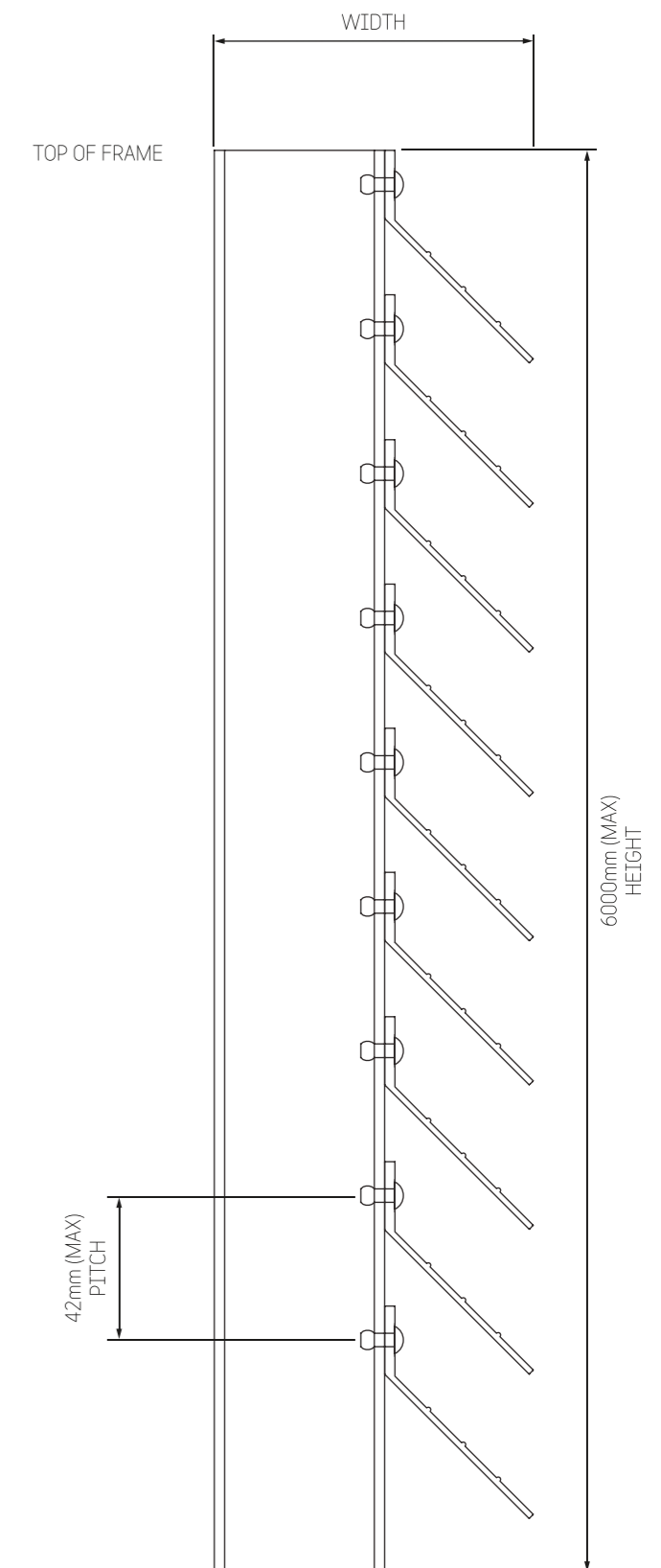
MODEL UL1572B



LOUVRE BLADE
UA1572B



BOX SECTION
UA4635



NOTE

- > Pitch can be varied to suit height
- > Louvre blade can either be screw fixed or riveted
- > 2000mm max width

MODEL UL3101B/UL3102B

MODEL

UL3101B & UL3102B

APPLICATION

General ventilation and screening not suitable for heavy rain areas

MATERIAL

All blades are extruded from 6000 series aluminium alloy. All screws and rivets are stainless steel.

FINISH

Louvre components can be supplied in either mill, anodised or powder-coated finish.

SIZES

Can be manufactured to suit opening up to 6000mm high x 2000mm wide. Width can be increased by adding stiffener bar.

(See fabrication drawing)

TO SPECIFY

Louvres shall be Ullrich Aluminium model UL3101B or UL3102B complete with bird screen (as required), blade pitches to suit opening.

Finishing - see above.

Installation shall be as per manufacturers recommendations.

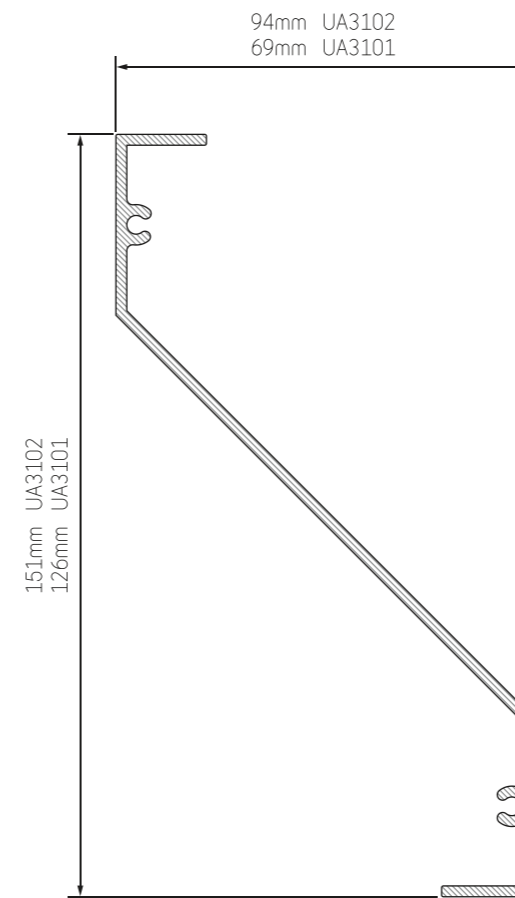
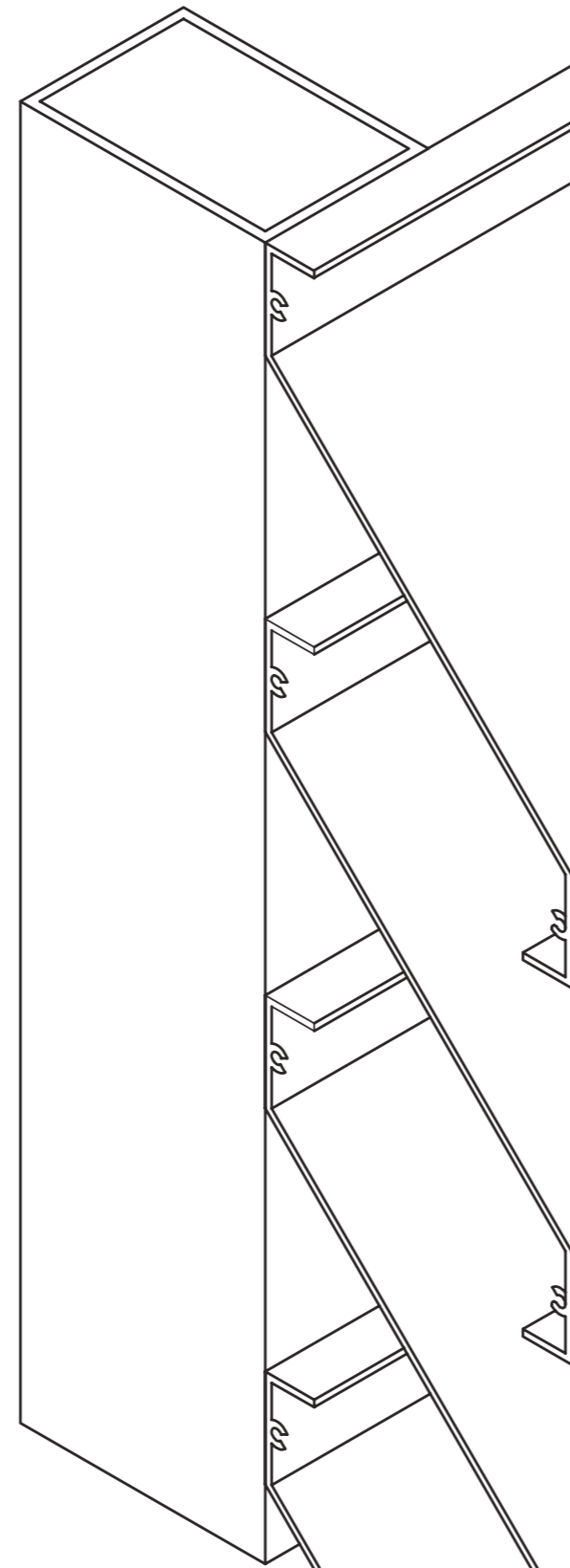
- For typical fixing details see page 21

FREE AIR

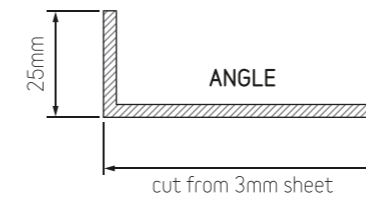
UL3101B = 31%

UL3102B = 42%

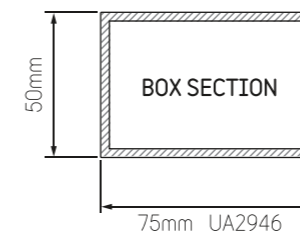
MODEL UL3101B/UL3102B



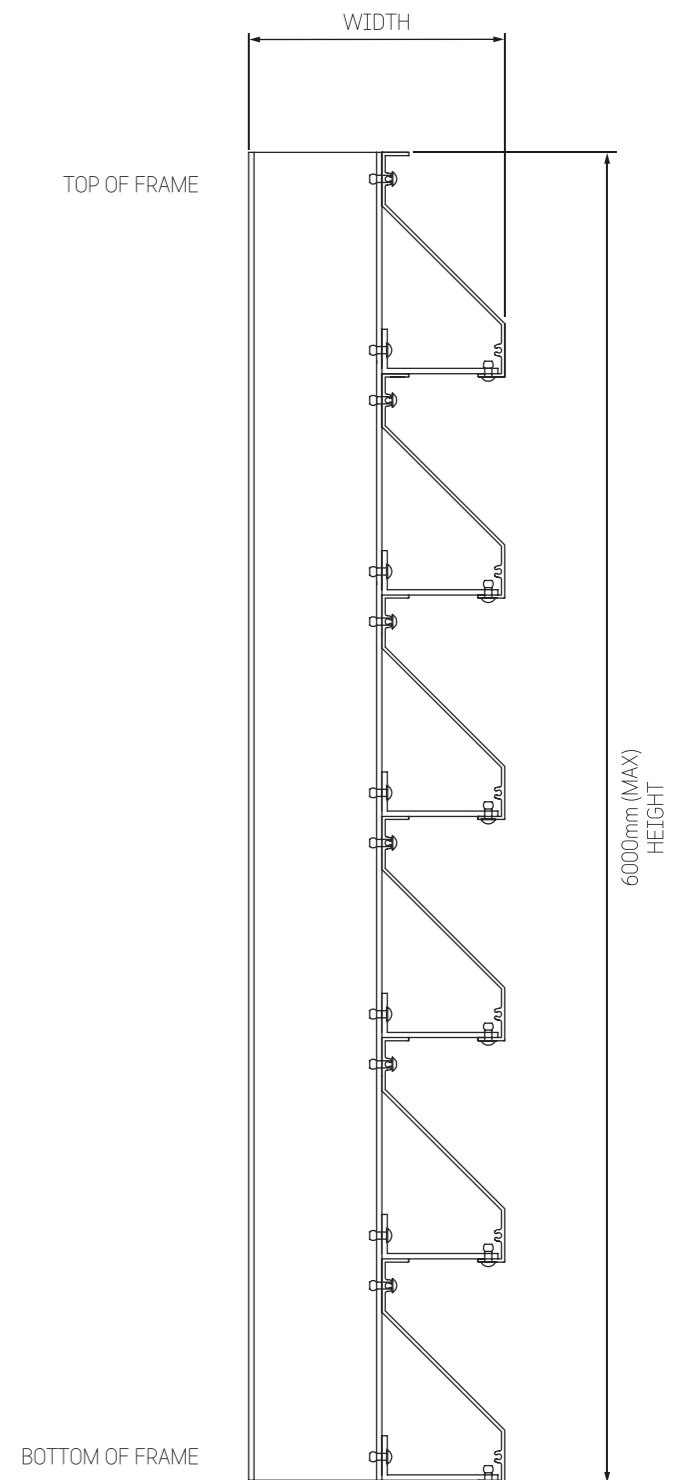
LOUVRE BLADE
UA3101 - 69mm
UA3102 - 94mm



ANGLE



BOX SECTION



NOTE

- > Pitch can be varied to suit height
 - > Louvre blade can either be screw fixed or riveted
 - > 2000mm max width
 - > Width can be increased by using stiffener bar
- See fabrication drawings.

MODEL UL5354V/UL5354H

MODEL

UL5354V & UL5354H

APPLICATION

Vertical or horizontal sunscreen commercial buildings, hospitals and covered paths.

MATERIAL

All blades are extruded from 6000 series aluminium alloy. All screws and rivets are stainless steel.

FINISH

Louvre components can be supplied in either mill, anodised or powder-coated finish.

SIZES

Can be manufactured to suit opening up to 6000mm high x 2000mm wide.

TO SPECIFY

Louvres shall be Ullrich Aluminium model UL5354H or UL5354V, blade pitches to suit opening.

Finishing - see above.

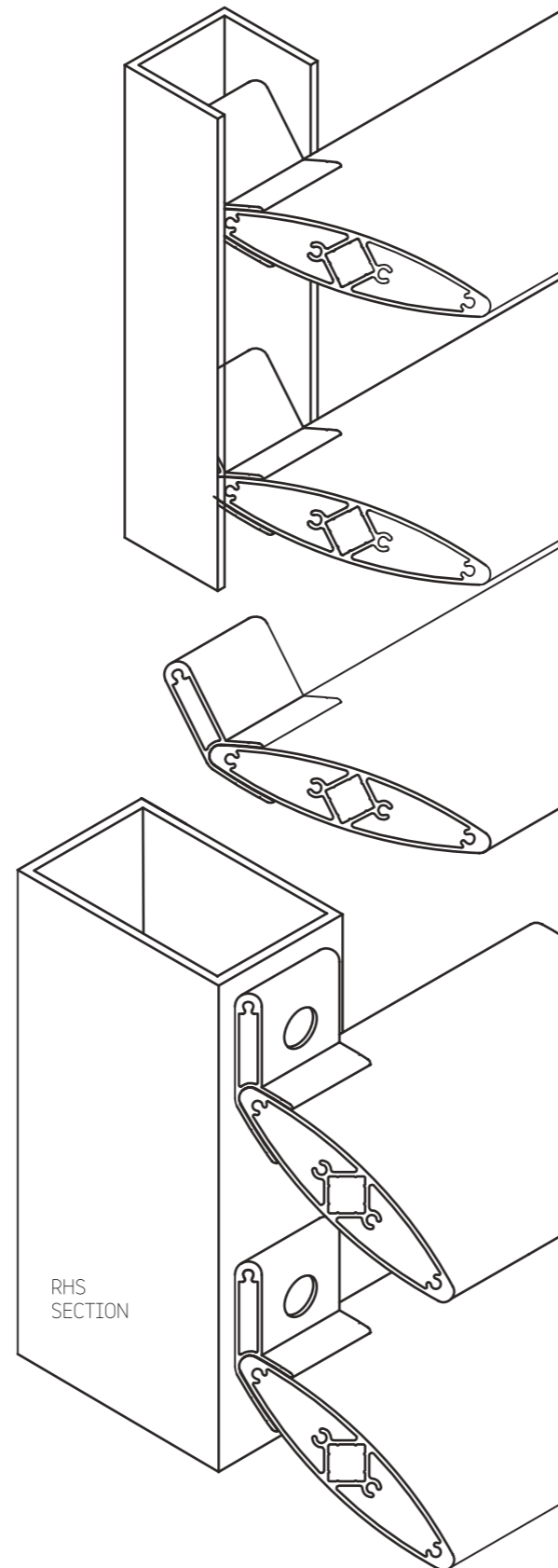
Installation shall be as per manufacturers recommendations.

- For typical fixing details see page 21

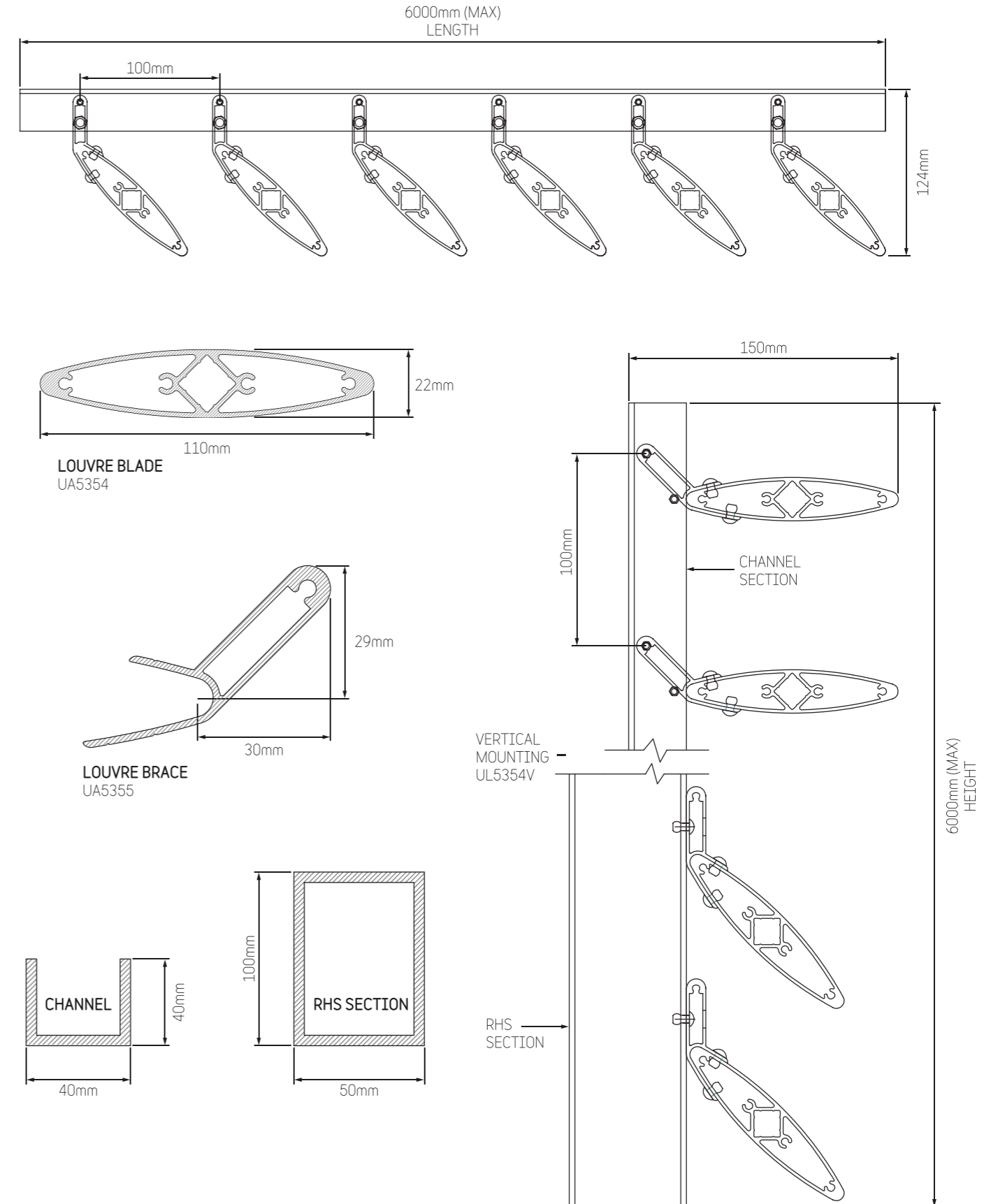
FREE AIR

UL5354V = 77%

UL5354H = 54%



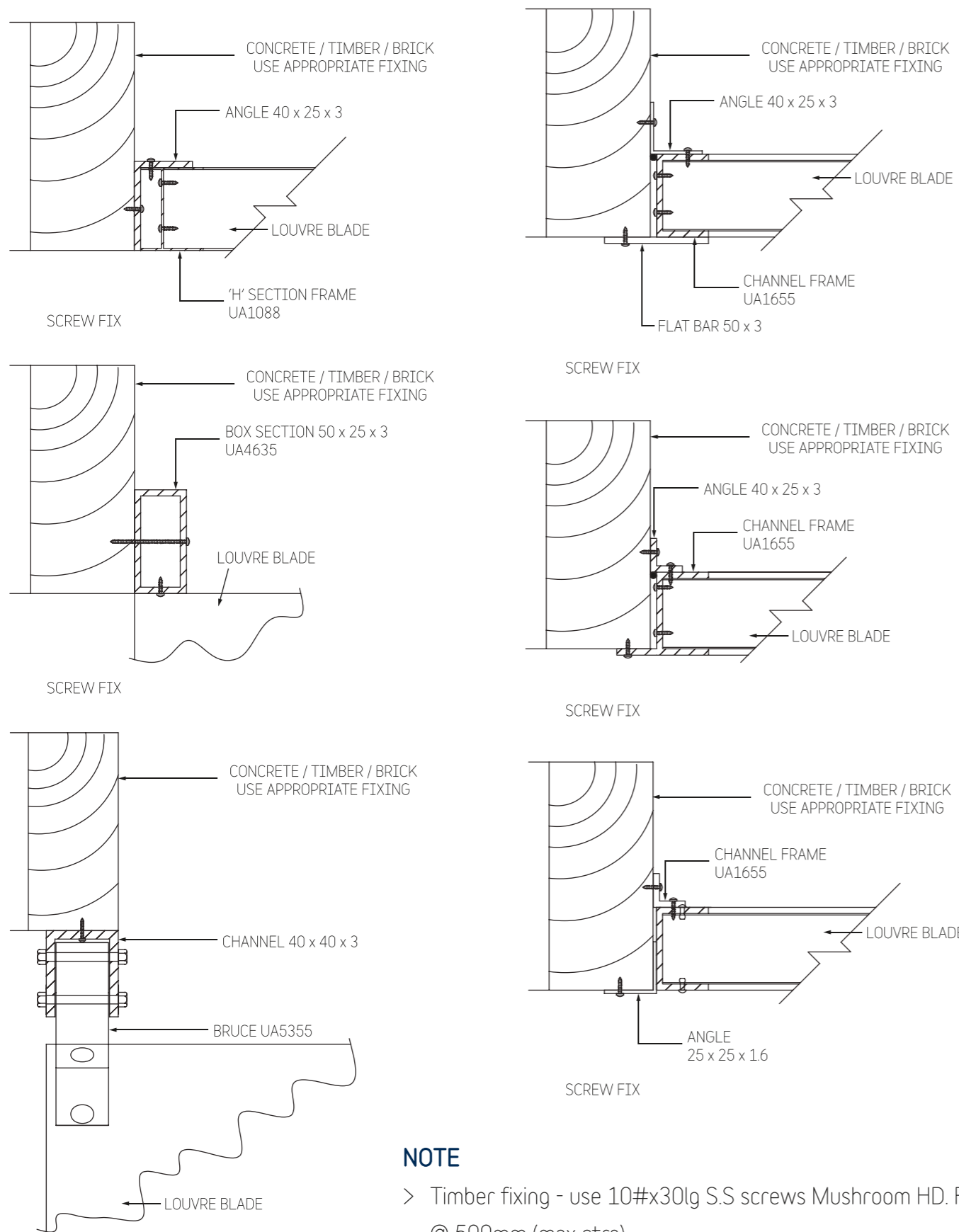
MODEL UL5354V/UL5354H



NOTE

- > Pitch can be varied to suit height
- > Louvre blade can either be screw fixed or riveted
- > 2000mm max width

TYPICAL FIXING DETAILS



NOTE

- > Timber fixing - use 10#x30lg S.S screws Mushroom HD. Fix @ 500mm (max ctrs)
- > Masonry fixing - for RHS sections / M8 S.S Dynabolts (min. Engagement 40mm)
- > Fix @ 600mm (max ctrs)





Eilbeck

ULLRICH

ALUMINIUM

Eilbeck

ULLRICH

ALUMINIUM

ABUS

THERE'S AN ULLRICH ALUMINIUM BRANCH NEAR YOU



NEW SOUTH WALES

Sydney General Enquiries:
185-187 Woodpark Road
Smithfield, NSW 2164
+61 (2) 8787 7400

Sydney Fabrication:
185-187 Woodpark Road
Smithfield, NSW 2164
+61 (2) 8787 7468

Sydney South:
15 Blackmore Road
Smeaton Grange, NSW 2567
+61 (2) 4646 2200

Kurri Kurri:
HEZ Extrusion Plant
Lot 1, Bromage Road
HEZ Industrial Estate
Kurri Kurri, NSW 2327
+61 (2) 4015 6800

Newcastle:
6 Steel River Boulevard
Mayfield West, NSW 2304
+61 (2) 4949 2600

Bathurst:
10 Bradwardine Road
Robin Hill, NSW 2795
+61 (2) 6339 8900

Coffs Harbour:
13 Cook Drive
Coffs Harbour, NSW 2450
+61 (2) 6690 2400

SOUTH EAST QUEENSLAND

Brisbane:
20 Ron Boyle Crescent
Carole Park, QLD 4300
+61 (7) 3718 1400

Banyo:
40 Buchanan Road
Banyo, QLD 4014
+61 (7) 3335 6700

Caloundra:
37 Enterprise Street
Caloundra, QLD 4551
+61 (7) 5390 7600

Gold Coast:
24 Township Drive
West Burleigh, QLD 4219
+61 (7) 5586 1500

QUEENSLAND

Cairns:
16 Spoto Street
Woree, QLD 4868
+61 (7) 4252 3200

Townsville:
5 Whitehouse Street
Garbutt, QLD 4814
+61 (7) 4720 7100

Mackay:
105-111 Maggiolo drive
Paget, QLD 4740
+61 (7) 4864 2100

Rockhampton:
103 Stanley Street
Rockhampton, QLD 4700
+61 (7) 4923 8600

Wide Bay:
48B Lower Mountain Road
Dundowran, QLD 4655
+61 (7) 4196 9000

NORTHERN TERRITORY

Darwin:
114 Reichardt Road
Winnellie, NT 0820
+61 (8) 7929 8400

WESTERN AUSTRALIA

Perth:
17 King Street
Bayswater, WA 6053
+61 (8) 9473 4700

Bunbury:
33 Clifford Street
Halifax, WA 6230
+61 (8) 9796 4200

TASMANIA

Launceston:
86 Invermay Road
Launceston, TAS 7250
+61 (3) 6327 8600

Hobart:
123 Albert Rd
Moonah, TAS 7009
+61 (3) 6278 0000

VICTORIA

Melbourne:
893 Princes Highway
Springvale, VIC 3171
+61 (3) 9567 7200

SOUTH AUSTRALIA

Adelaide:
57 Diagonal Road
Pooraka, SA 5095
+61 (8) 8300 2500

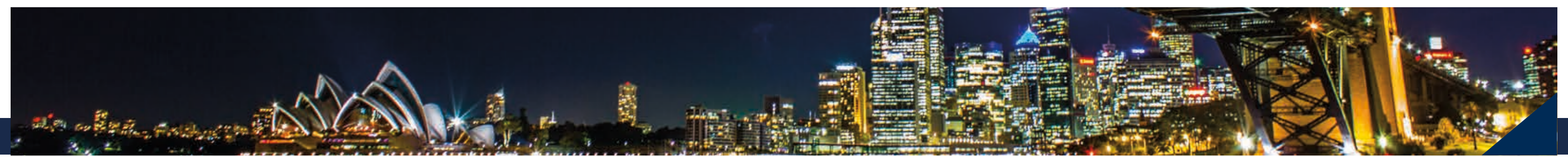
ACT REGION

Canberra:
12 Sawmill Circuit
Hume, ACT 2620
+61 (2) 6243 9700

Albury-Wodonga
28 Fallon Street
Albury, NSW 2640
+61 (2) 6049 9800

FOR FURTHER INFORMATION CALL **1300 650 175**

TO VIEW THE FULL RANGE OF ULLRICH ALUMINIUM PRODUCTS VISIT: www.ullrich.com.au





SALES ENQUIRIES 1300 650 075
www.ullrich.com.au