

# BALUSTRADE SYSTEM SERIES 40/50



MANUFACTURING / INSTALLATION DETAILS



PRODUCT  
BROCHURE



ULLRICH ALUMINIUM



## We design and construct clever, robust Aluminium Balustrade Systems

### DESIGN

Ullrich Aluminium Balustrade System has been designed, tested and complies with Australian Standard AS1170.2002 structural design actions part 0, wind actions part 2 and AS/ANZS 1664.:2 1997 Aluminium Structures.

Tested by Advitech P/L Mayfield NSW. Report No 4588324 dated Nov 2003. Our 40mm square and 50mm round post balustrade is suitable for both domestic and commercial applications.

### FEATURES

- › Both the 40mm square box section and 50mm round posts provide a slimline appearance whilst maintaining strength required
- › Our range of round H.D. posts enables handrail direction of 90°, 120° and 180°. The square post system enable handrail direction of 90°, 120° and 180°

- › Aesthetically pleasing and modern appearance will add value to any project
- › Versatile design with a range of handrails from 60mm round to oval. Both accept either balusters or glazing
- › Simple to fabricate and install
- › Available in mill finish only, thus enabling fabricator to supply the full range of powder coated or anodised colours
- › Ullrich Aluminium has a range of fabricators/ installers nationally who are familiar with our product
- › When manufactured and installed in accordance with Ullrich details, the system will comply with the above codes.

### SPECIFICATIONS

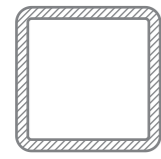
Material	Extrusions (all)	Structural Alloy
Heights	Balustrade	1000mm (max)
	Pool Fencing (ref)	1200mm(max)
	Bottom Rail	125mm (to top of rail)
Post spacing	Balustrade	1200mm (max)
	Pool fencing (ref)	1500mm (max)
Baluster spacing	Balustrade	125mm (max gap)
	Pool fencing (ref)	185mm (max gap)
Foot stake fixing	2 x [M10 x 90mm] S.S. chemical anchors	
Glass	6.38mm (min.) laminated. (min. fixing 2 sides)	

Where do you want to go >

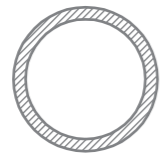
BALUSTRADE SYSTEM - SERIES 40/50  
 BALUSTRADE COMPONENTS - SERIES 40  
 FABRICATION BALUSTERS - SERIES 40  
 FABRICATION OPEN GLAZED - SERIES 40  
 FABRICATION FULLY GLAZED - SERIES 40  
 CORNER CONFIGURATIONS - SERIES 40  
 INSTALLATION - SERIES 40  
 BALUSTRADE COMPONENTS - SERIES 50  
 FABRICATION / GLAZING - SERIES 50  
 POST CONFIGURATIONS - SERIES 50  
 INSTALLATION - SERIES 50  
 MISCELLANEOUS COMPONENTS

### more information

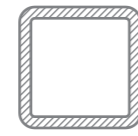
View more of our extensive range on our website  
[www.ullrich.com.au](http://www.ullrich.com.au)



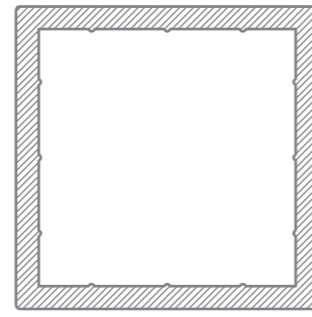
**UA1869**  
Square Tube



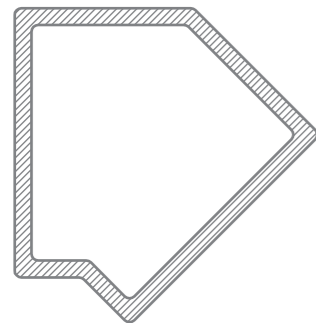
**UA8163**  
Round Tube 19 $\phi$



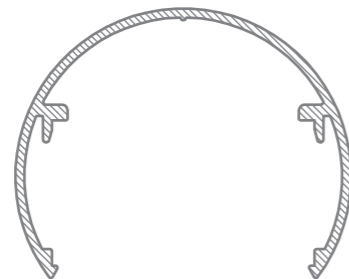
**UA8955**  
Square Tube 16mm



**UA8956**  
40mm Post



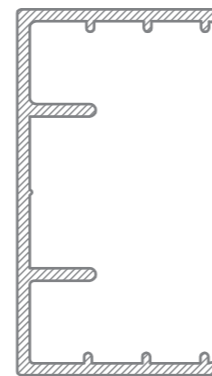
**UA8971**  
45° Corner Post



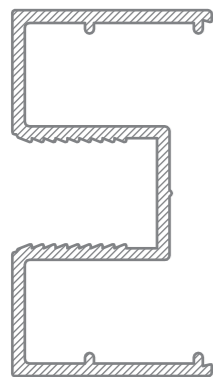
**UA8989**  
60mm  $\phi$  Handrail



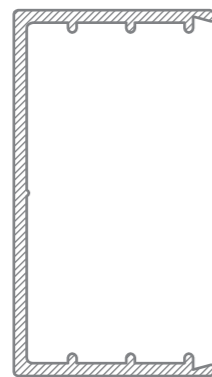
**UA8990**  
Filler



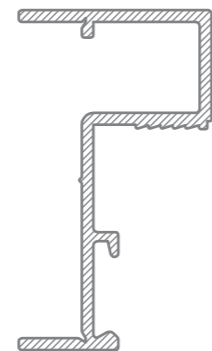
**UA8991**  
Channel



**UA8992**  
Glazing Channel



**UA8993**  
Top/Bottom Rail



**UA8994**  
Clip In Glazing Channel



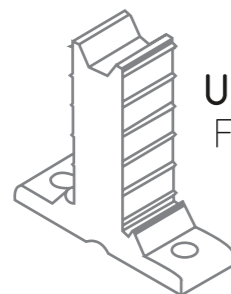
**UA8995**  
Clip In Bead



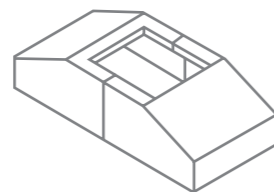
**UBA209**  
End Cap  
(suit UN00200)



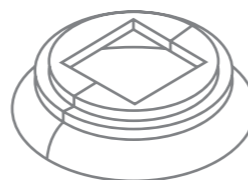
**UBA200**  
End Cap  
(suit UB006)



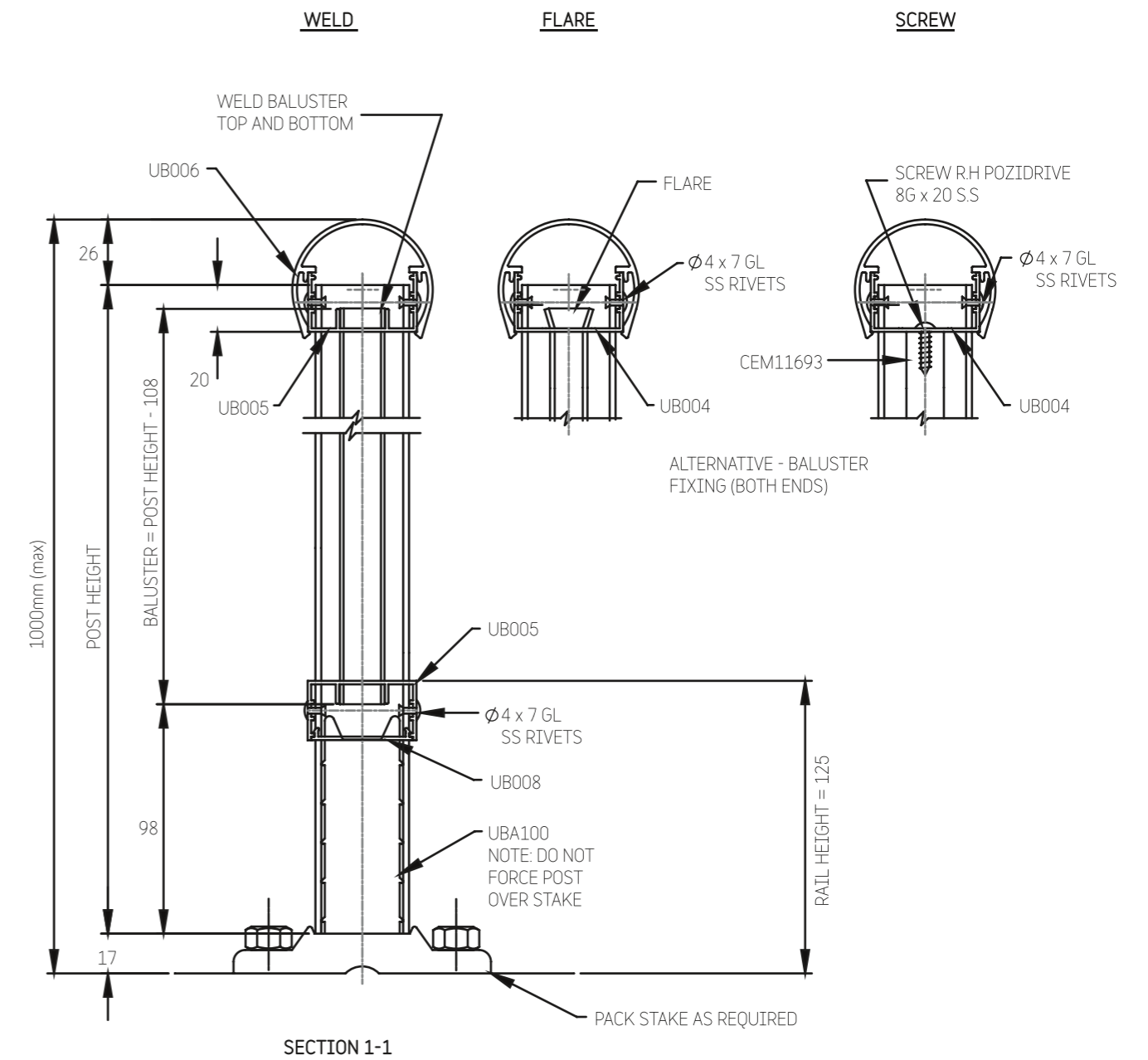
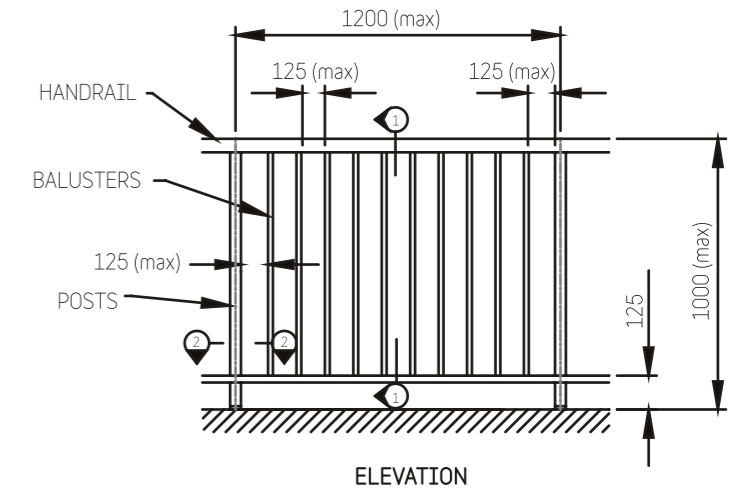
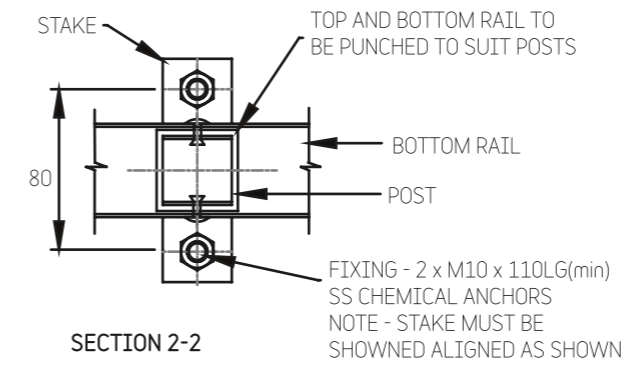
**UBA100MI**  
Foot Stake



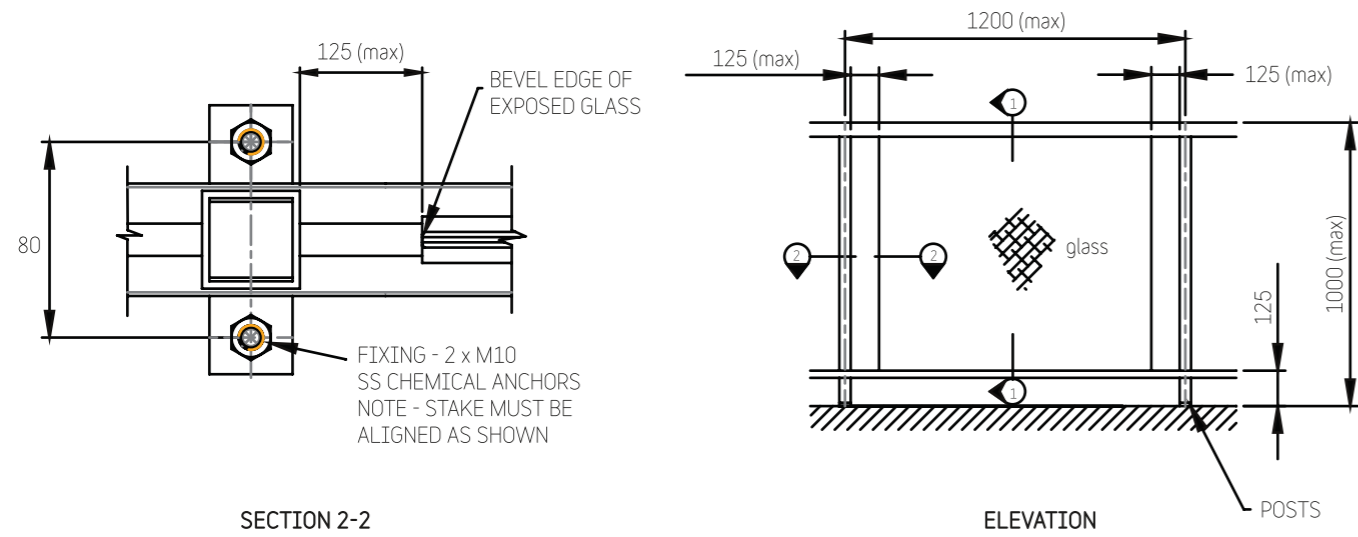
**UBA201BK**  
Foot Cover-Plastic



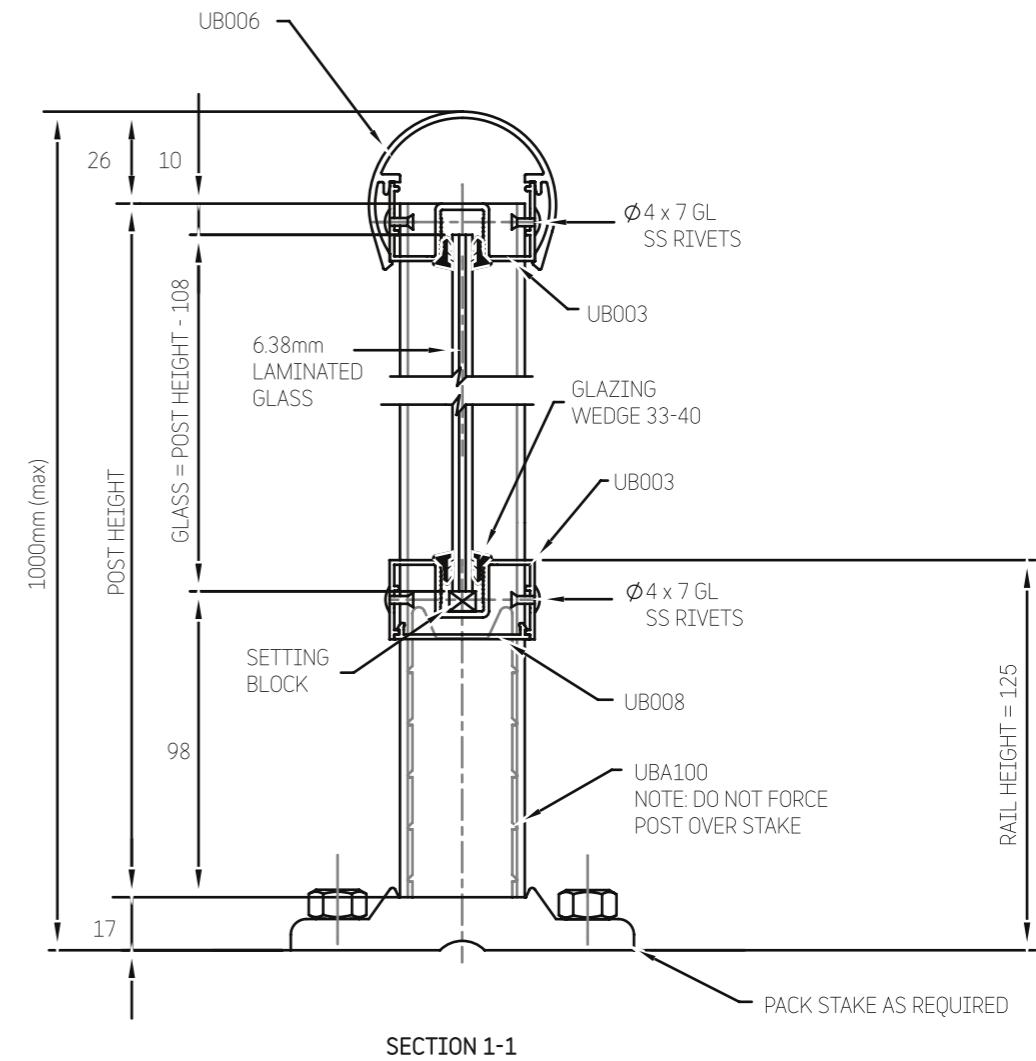
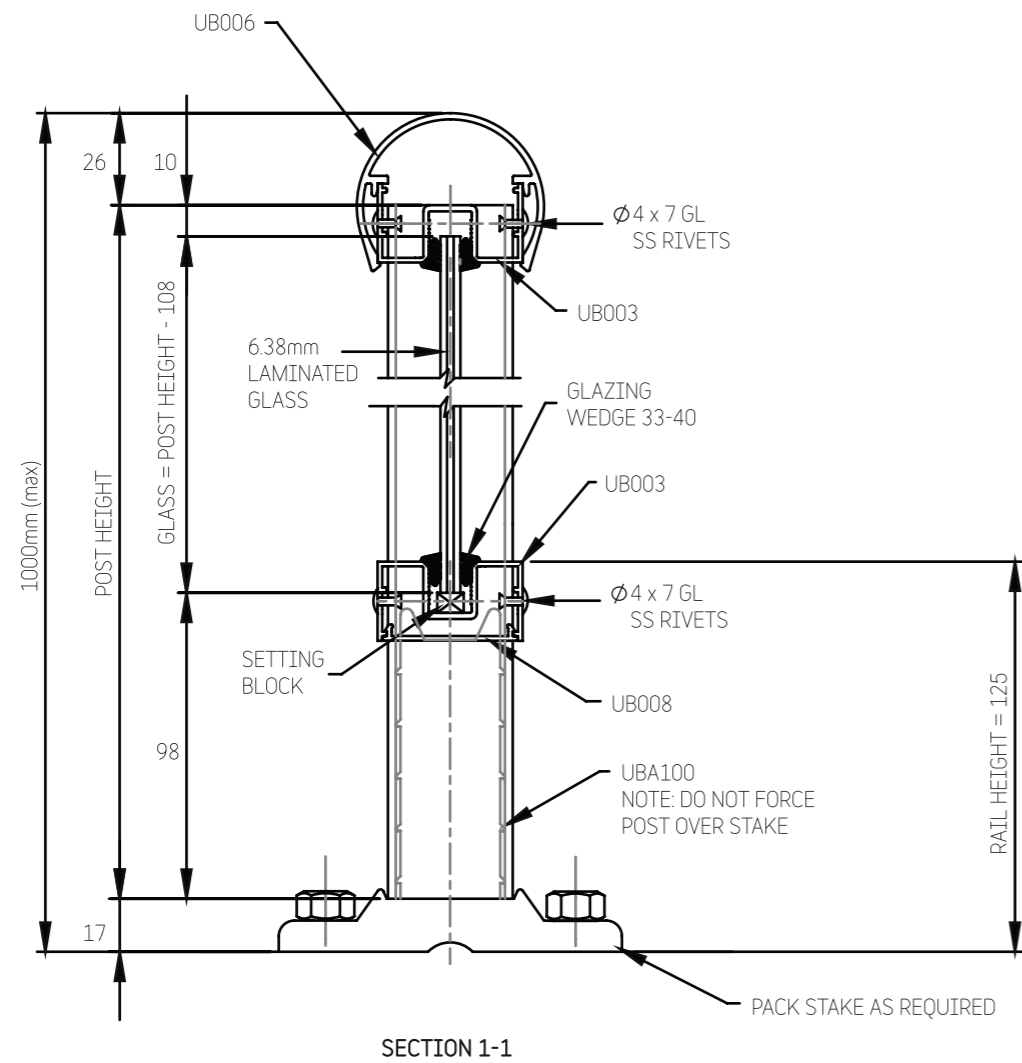
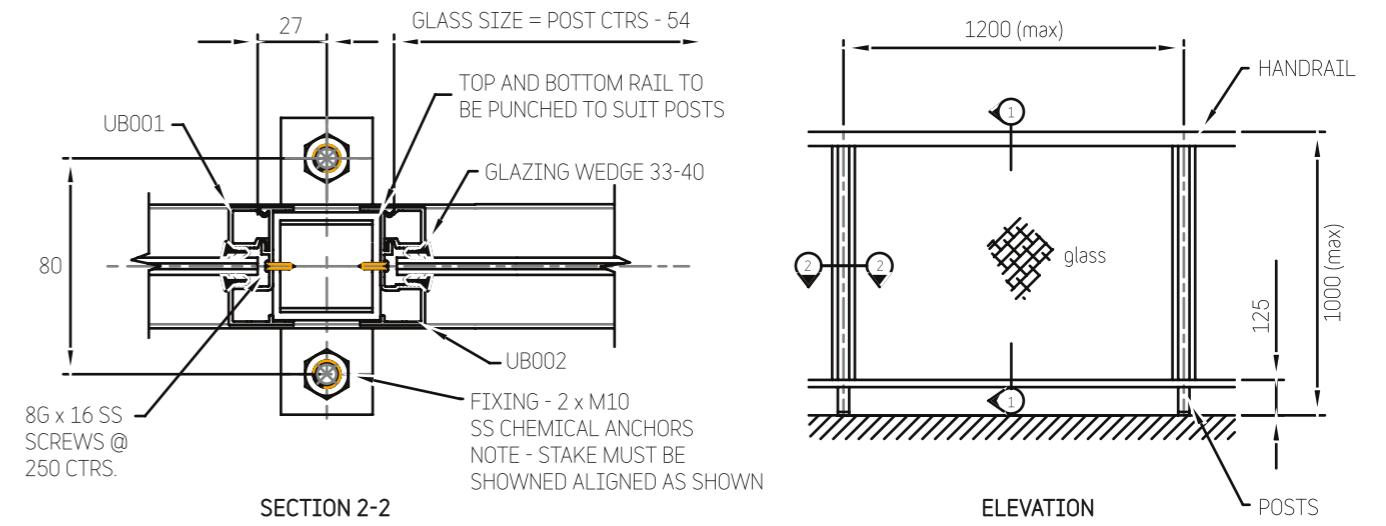
**UBA203BK**  
Foot Cover (suit UB017)

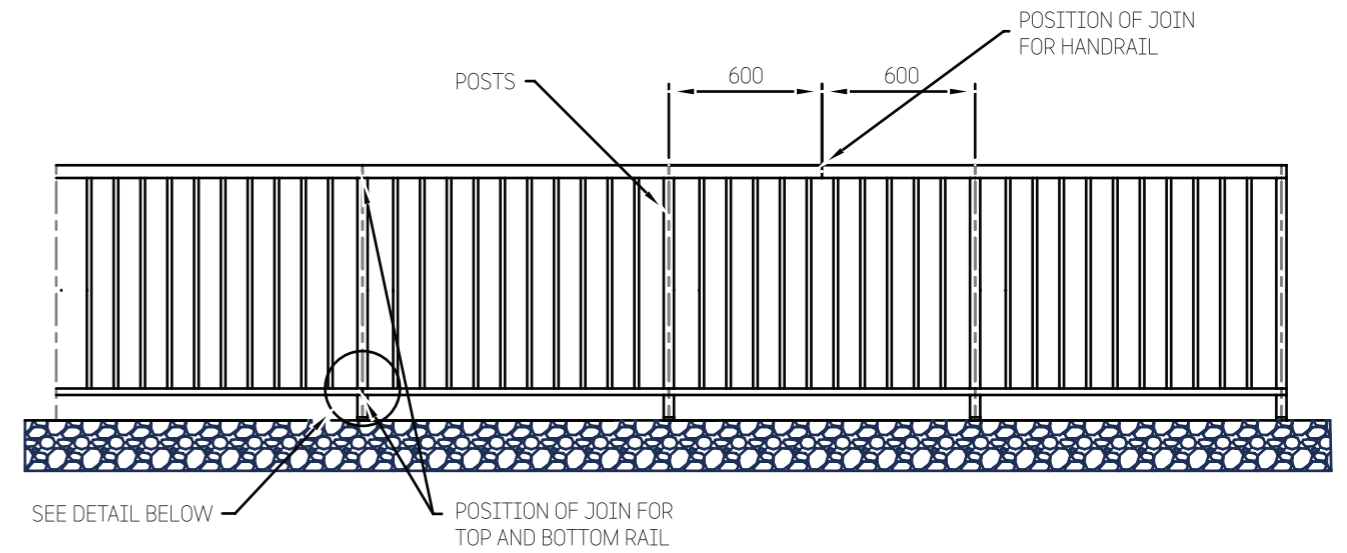
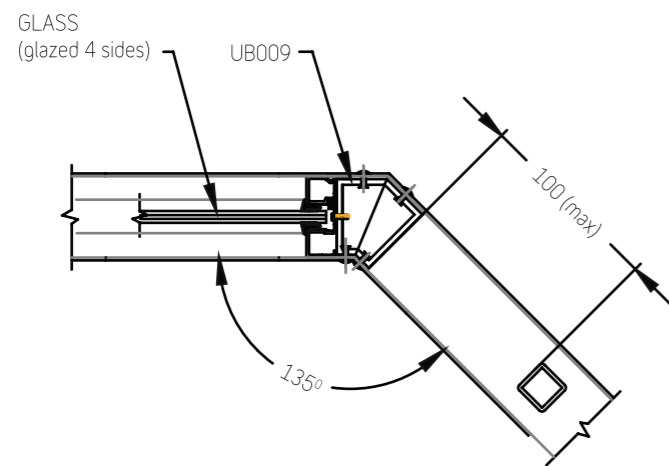
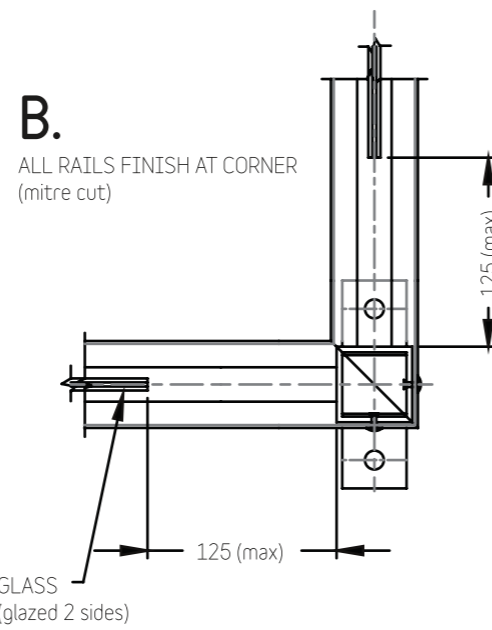
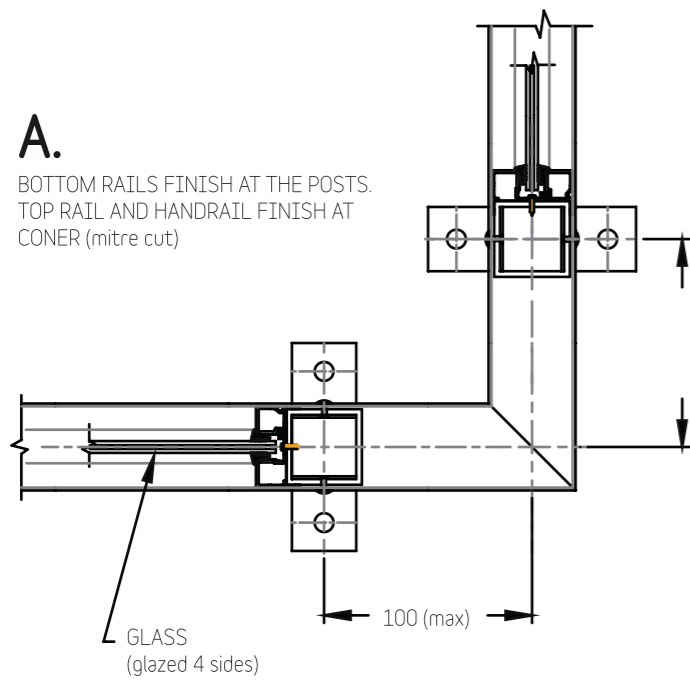
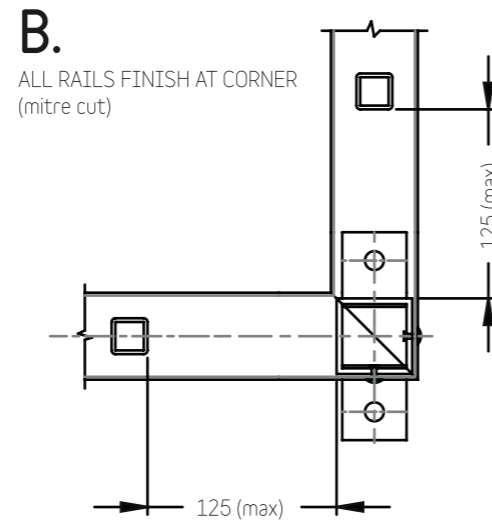
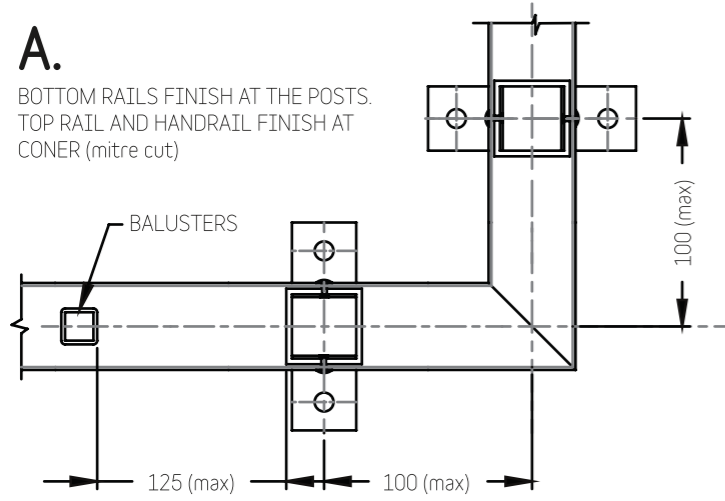


# FABRICATION OPEN GLAZED - SERIES 40

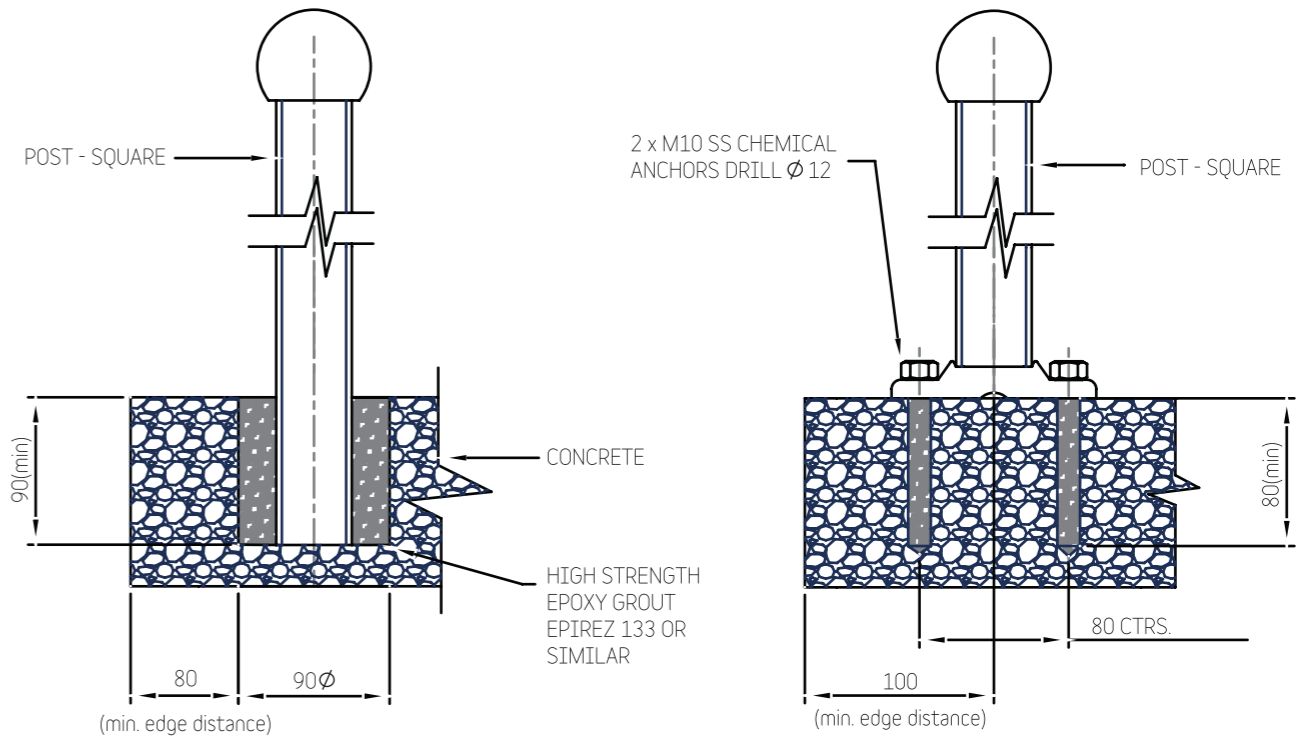
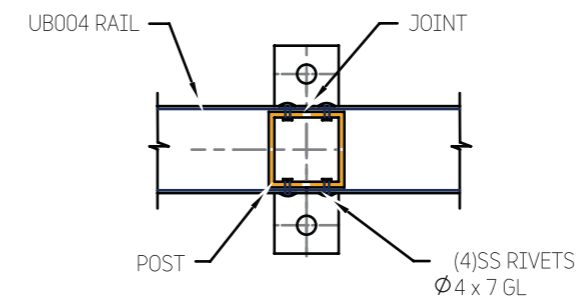


# FABRICATION FULLY GLAZED - SERIES 40





## POSITION OF JOINTS



## FIXING OF POST TO CONCRETE



**AS21779**  
2 Way Post  
(Heavy)



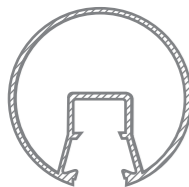
**UB011**  
2 Way Post  
(Light)



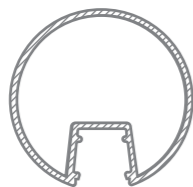
**UB010**  
50mm 3 Way



**UB012**  
50mm x 120° Post



**UB007**  
60mm Glazing  
Handrail



**UN00228**  
60mm Glazing  
Handrail (Light)



**UB020**  
50mm Half Post



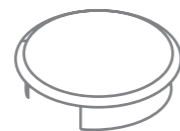
**UN00720**  
50mm One Way  
Glazing Post



Single Glazed Rubber  
32-88 Black  
(suit 6.38mm Glass)



**UB019**  
Glazing Infill



**UBA103MI**  
60x2 Alum End Cap  
(suit Handrail UB007)



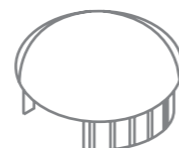
**UBA105MI**  
50x3 Alum Raised  
End Cap  
(suit 50mm Post)



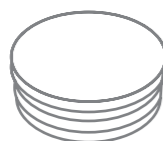
**UBA208BK**  
Plastic Glass Stop



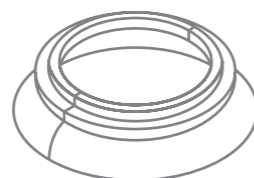
**UBA101MI**  
End Cap - Alum  
(suit 50mm Post)



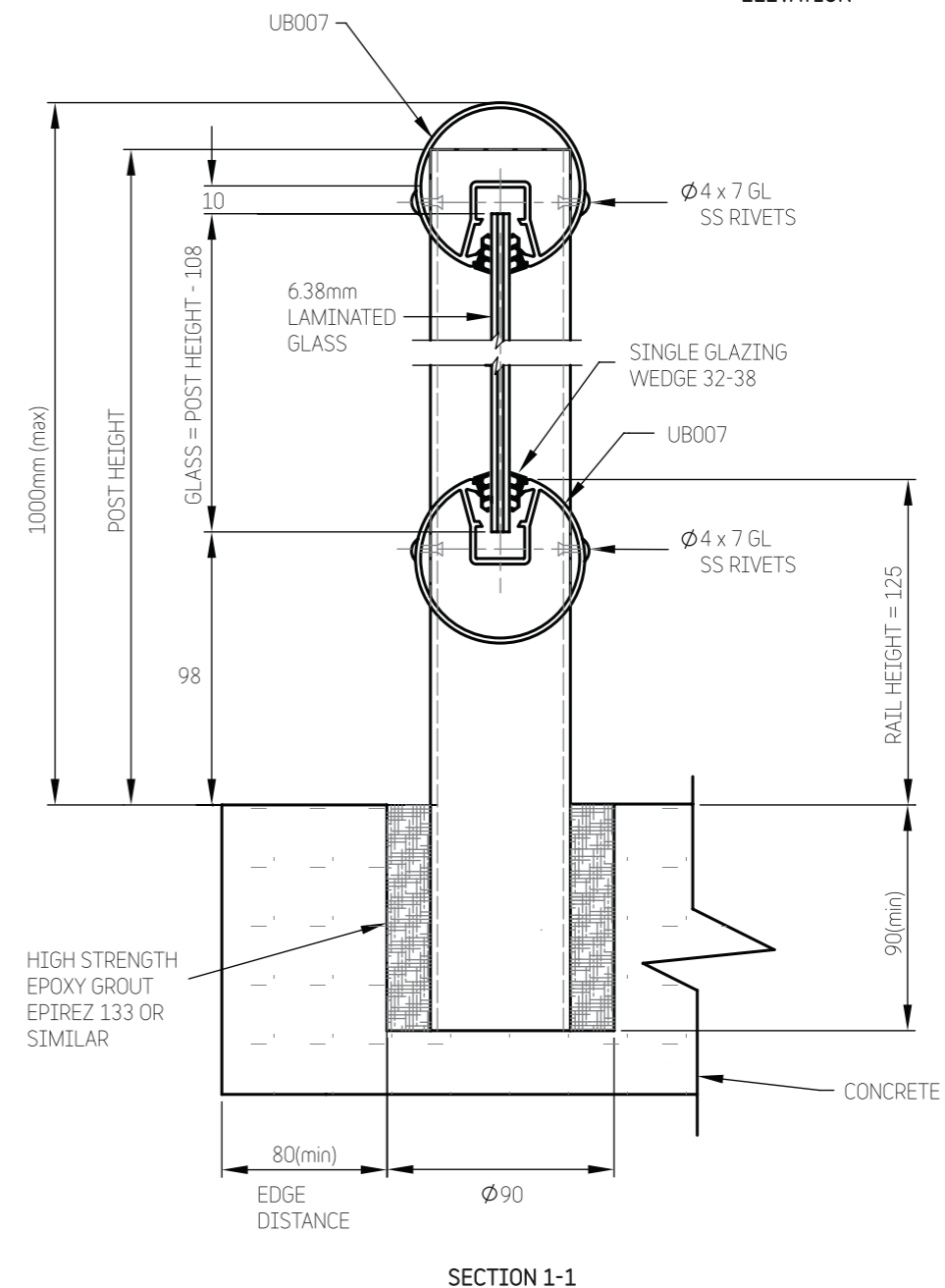
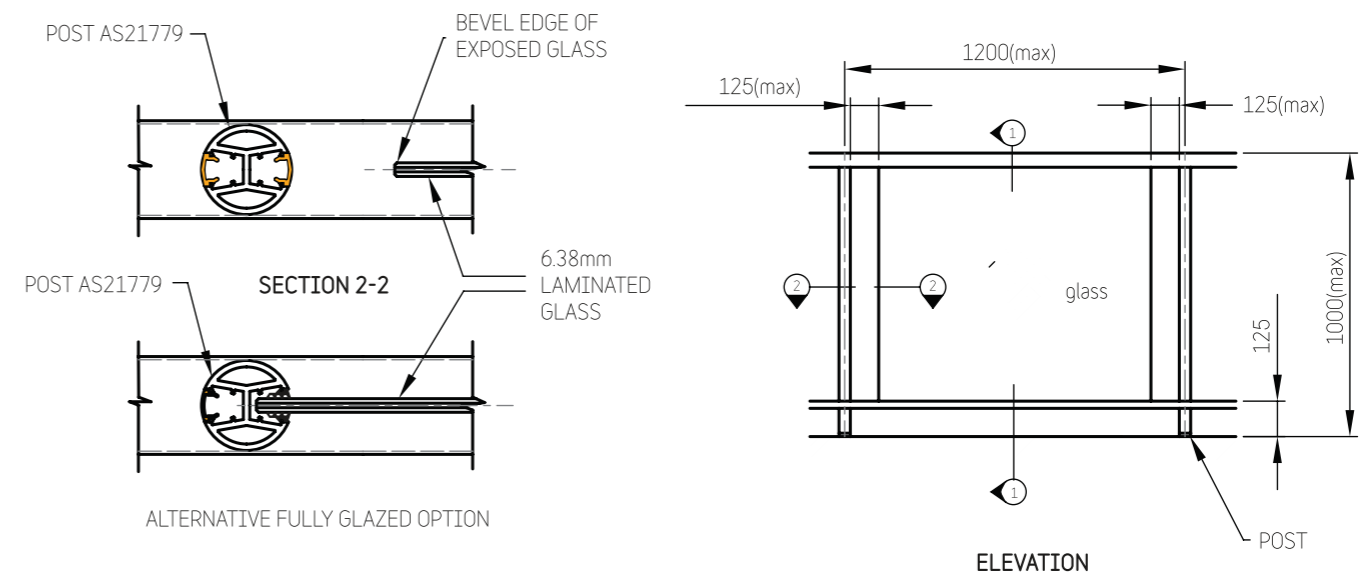
**UBA104MI**  
60x2 Alum Raised  
End Cap  
(suit handrail UB007)

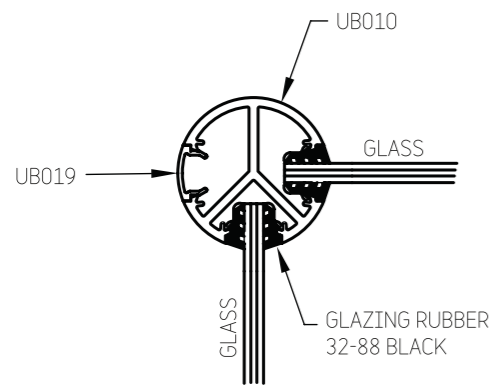


**UBA204BK**  
50mm Plastic Plug for Tube  
(suit 50mm Post)

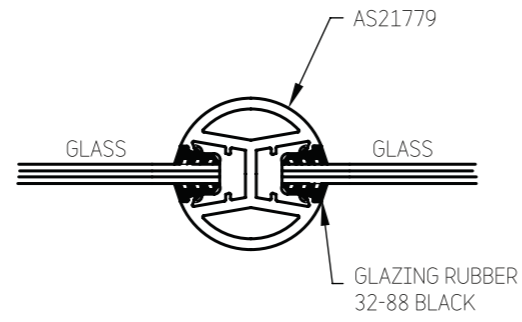


**UBA207BK**  
Foot Cover

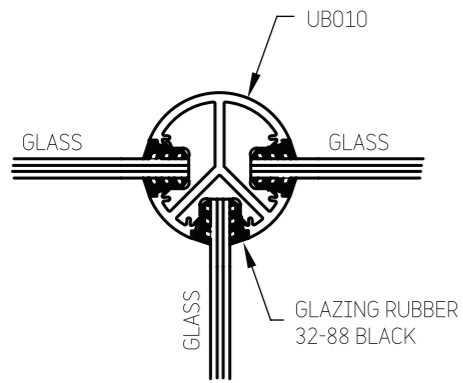




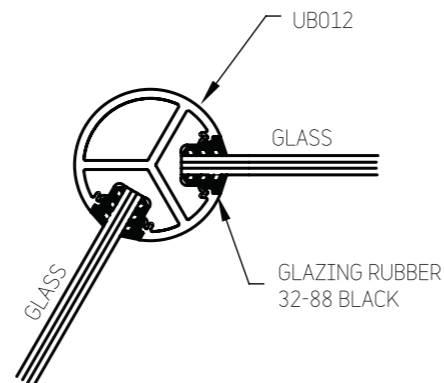
50mm x 90° POST



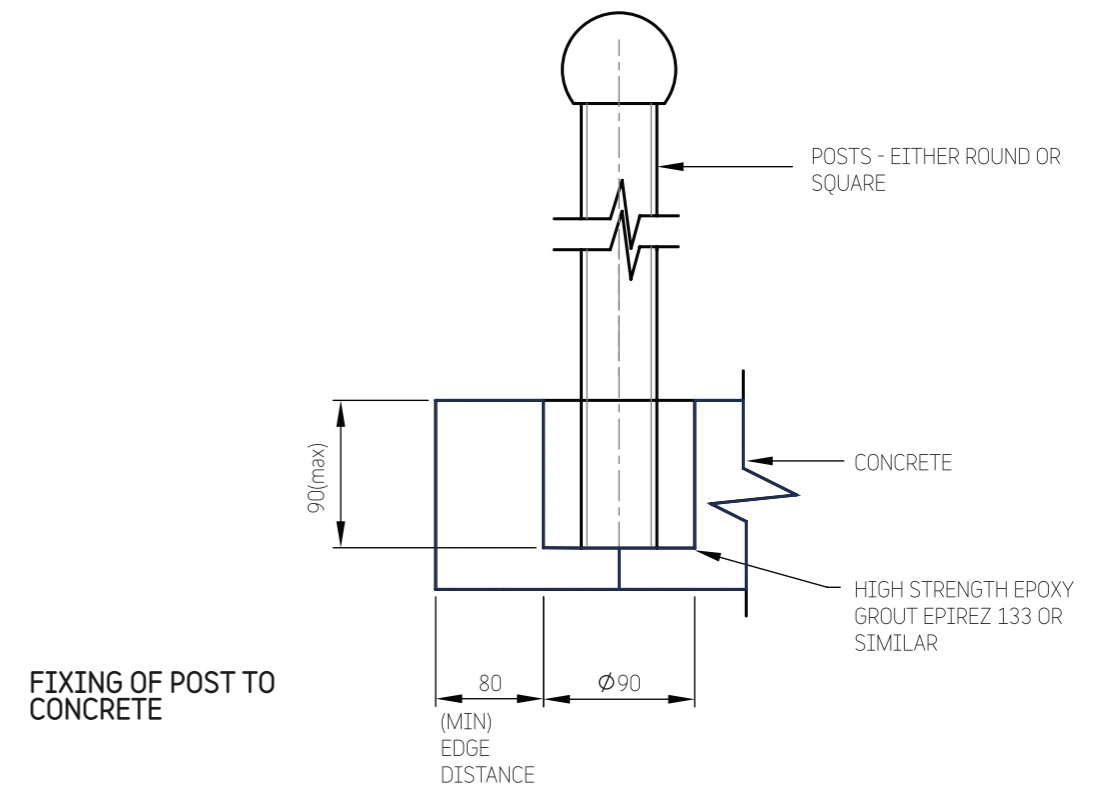
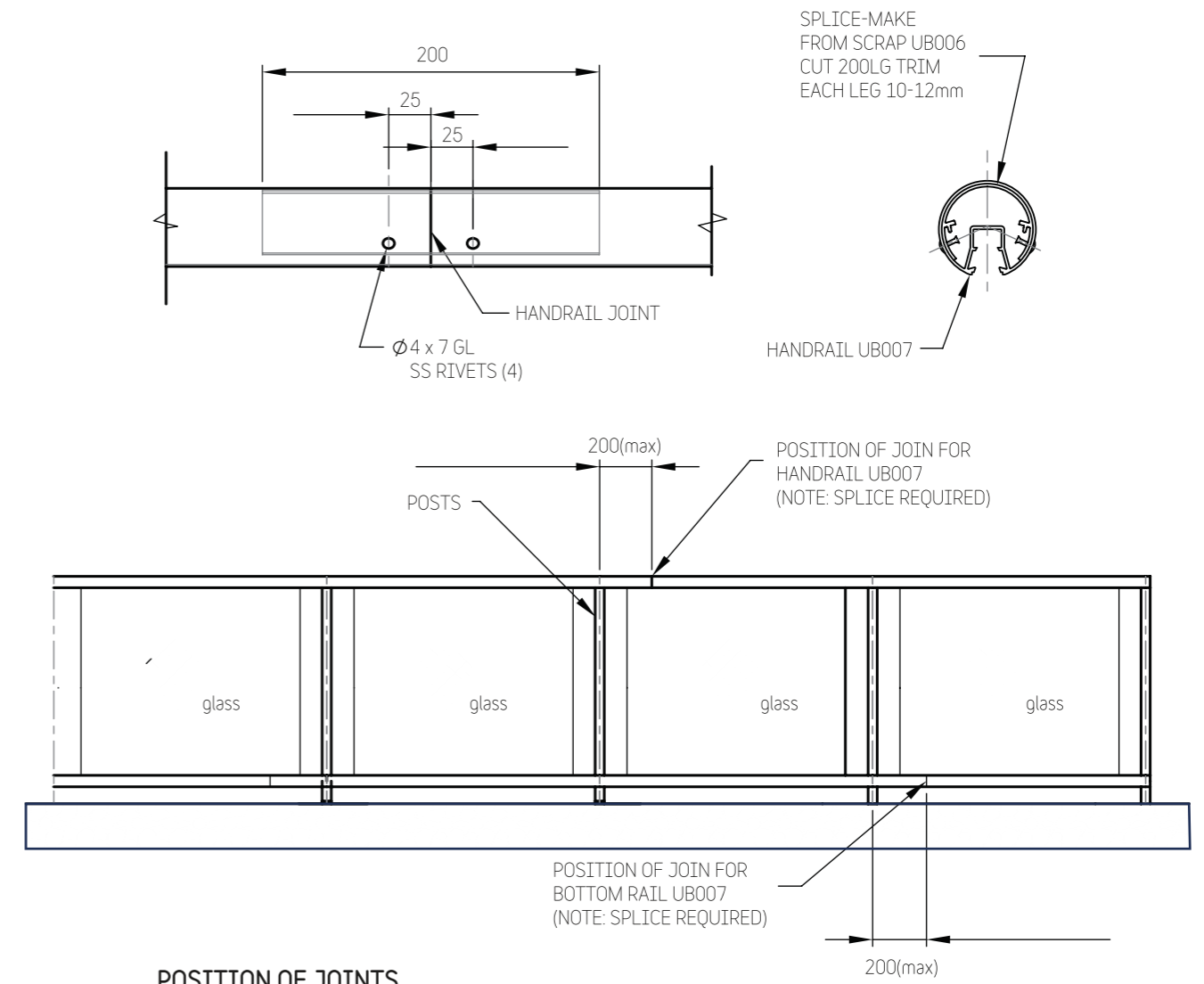
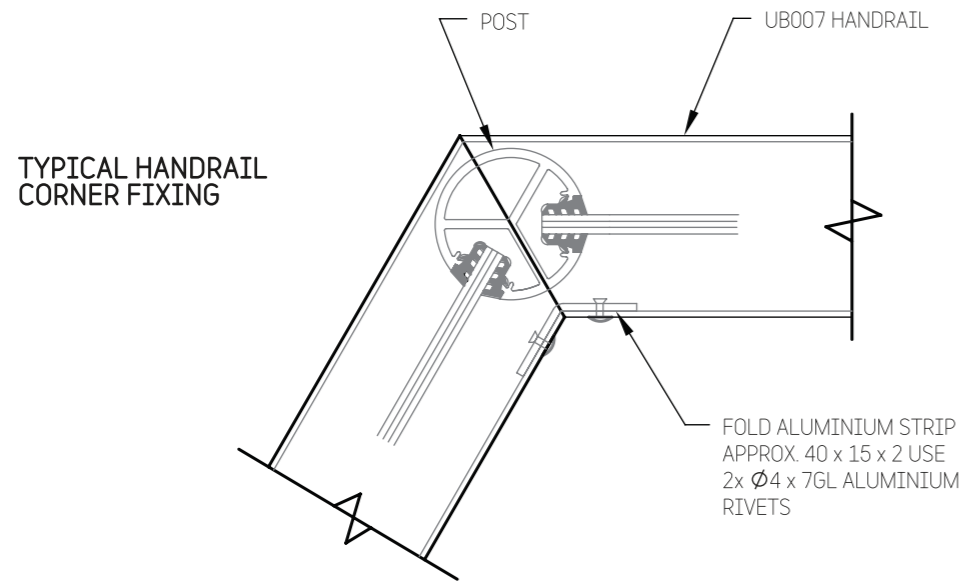
50mm TWO WAY POST



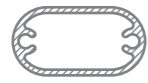
50mm THREE WAY POST



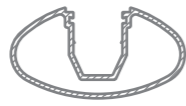
50mm x 120° POST



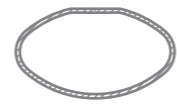
# MISCELLANEOUS COMPONENTS



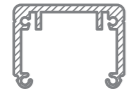
**CEM11587**  
Oval Baluster



**UA10007**  
Oval Glazing Rail



**UA10003**  
Oval Handrail



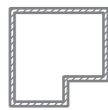
**UN00509**  
Square Balustrade



**UN00508**  
Flat Filler  
(suit UN00509)



**UA4869**  
75mm Sliding Gate Track



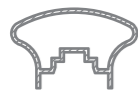
**UN00725**  
Privacy Surround Post



**UA8999**  
2 Way Square Post



**UA8766**  
50mm 2 Way Square Post



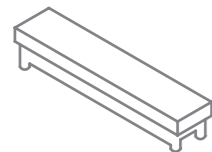
**MKJ588**  
Balustrade Handrail



**RR50101.3MI6L**  
50 x 10 Standard RHS



**RR65161.2MI6.5L**  
65 x 16 Standard RHS



**UBA205**  
65 x 16 Plastic Plug



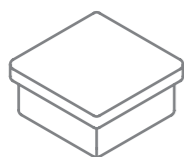
**CEM11693**  
Baluster 16 Screw  
Fluted



**JA983-056**  
Gate Track



**UN00976**  
Short Leg Filler



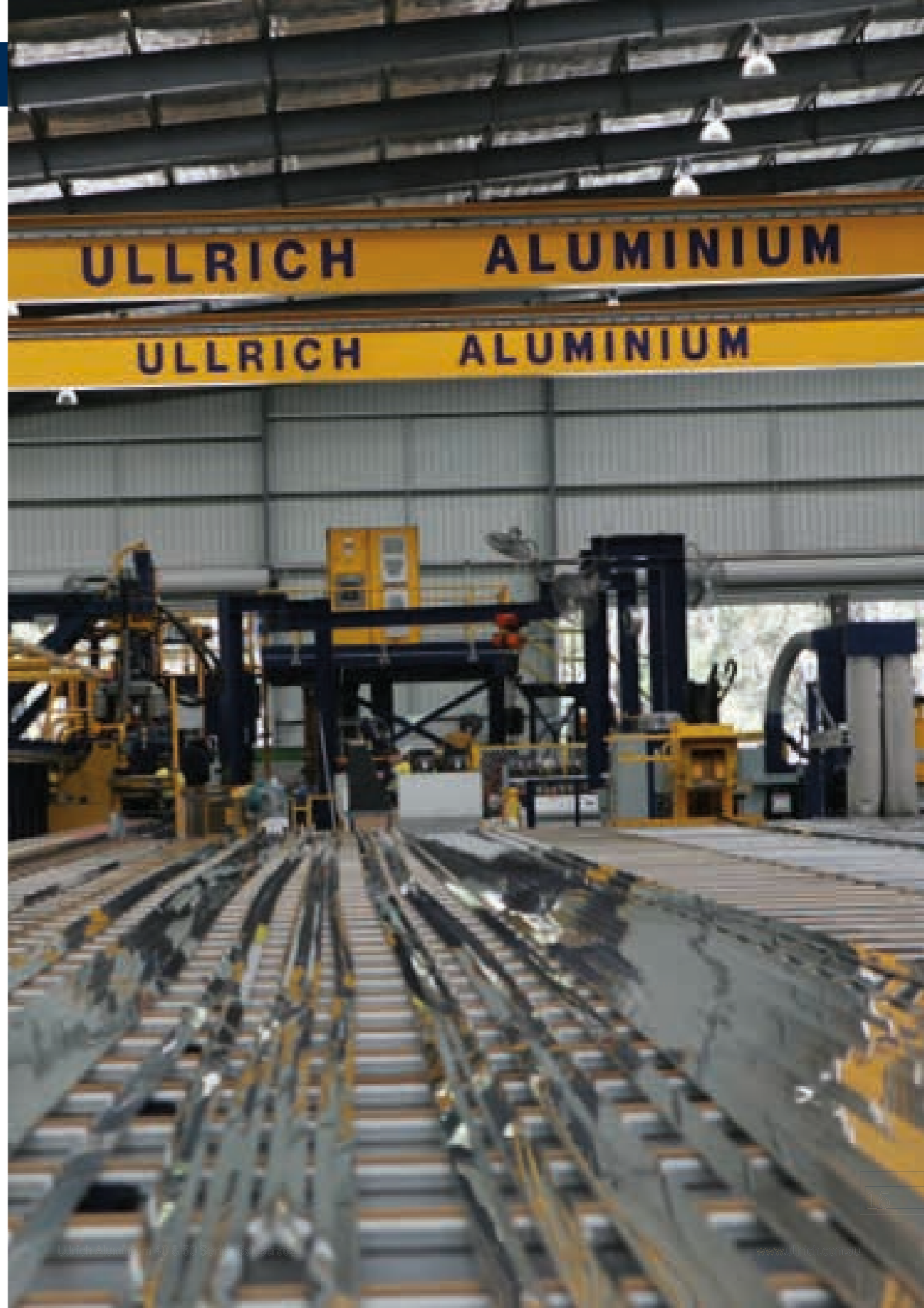
**UBA206BK**  
SQ.65mm Plastic Plug



**UBA102MI**  
Roll Formed Cap  
(suit 50mm post)



**UN1202**  
50 x 25 Square Glazing Rail





# THERE'S AN ULLRICH ALUMINIUM BRANCH NEAR YOU



## NEW SOUTH WALES

Sydney General Enquiries:  
185-187 Woodpark Road  
Smithfield, NSW 2164  
+61 (2) 8787 7400

Sydney Fabrication:  
185-187 Woodpark Road  
Smithfield, NSW 2164  
+61 (2) 8787 7468

Sydney South:  
15 Blackmore Road  
Smeaton Grange, NSW 2567  
+61 (2) 4646 2200

Kurri Kurri:  
HEZ Extrusion Plant  
Lot 1, Bromage Road  
HEZ Industrial Estate  
Kurri Kurri, NSW 2327  
+61 (2) 4015 6800

Newcastle:  
6 Steel River Boulevard  
Mayfield West, NSW 2304  
+61 (2) 4949 2600

Bathurst:  
10 Bradwardine Road  
Robin Hill, NSW 2795  
+61 (2) 6339 8900

Coffs Harbour:  
13 Cook Drive  
Coffs Harbour, NSW 2450  
+61 (2) 6690 2400

## SOUTH EAST QUEENSLAND

Brisbane:  
20 Ron Boyle Crescent  
Carole Park, QLD 4300  
+61 (7) 3718 1400

Banyo:  
40 Buchanan Road  
Banyo, QLD 4014  
+61 (7) 3335 6700

Caloundra:  
37 Enterprise Street  
Caloundra, QLD 4551  
+61 (7) 5390 7600

Gold Coast:  
24 Township Drive  
West Burleigh, QLD 4219  
+61 (7) 5586 1500

## QUEENSLAND

Cairns:  
16 Spoto Street  
Woree, QLD 4868  
+61 (7) 4252 3200

Townsville:  
5 Whitehouse Street  
Garbutt, QLD 4814  
+61 (7) 4720 7100

Mackay:  
105-111 Maggiolo drive  
Paget, QLD 4740  
+61 (7) 4864 2100

Rockhampton:  
103 Stanley Street  
Rockhampton, QLD 4700  
+61 (7) 4923 8600

Wide Bay:  
48B Lower Mountain Road  
Dundowran, QLD 4655  
+61 (7) 4196 9000

## NORTHERN TERRITORY

Darwin:  
114 Reichardt Road  
Winnellie, NT 0820  
+61 (8) 7929 8400

## WESTERN AUSTRALIA

Perth:  
17 King Street  
Bayswater, WA 6053  
+61 (8) 9473 4700

Bunbury:  
33 Clifford Street  
Halifax, WA 6230  
+61 (8) 9796 4200

## TASMANIA

Launceston:  
86 Invermay Road  
Launceston, TAS 7250  
+61 (3) 6327 8600

Hobart:  
123 Albert Rd  
Moonah, TAS 7009  
+61 (3) 6278 0000

## VICTORIA

Melbourne:  
893 Princes Highway  
Springvale, VIC 3171  
+61 (3) 9567 7200

## SOUTH AUSTRALIA

Adelaide:  
57 Diagonal Road  
Pooraka, SA 5095  
+61 (8) 8300 2500

## ACT REGION

Canberra:  
12 Sawmill Circuit  
Hume, ACT 2620  
+61 (2) 6243 9700

Albury-Wodonga  
28 Fallon Street  
Albury, NSW 2640  
+61 (2) 6049 9800

FOR FURTHER INFORMATION CALL **1300 650 175**

TO VIEW THE FULL RANGE OF ULLRICH ALUMINIUM PRODUCTS VISIT: [www.ullrich.com.au](http://www.ullrich.com.au)





**SALES ENQUIRIES 1300 650 075**  
[www.ullrich.com.au](http://www.ullrich.com.au)