

INDEX: 1. FRASER Sliding Window 2. HAMILTON 103mm Sliding Door 3. HAMILTON 165mm Sliding Door 4. HUDSON Double Hung Window 5. CASUARINA Awning Window 6. JARVIS Louvre Window 7. DENNISON Casement Window 8. ASPEN Hinged Door 9. BEDARRA Bi-fold Door

wintec systems

SINCE OUR BEGINNING IN 1997, WE HAVE DEVELOPED A RANGE OF WINDOW AND DOOR PRODUCTS THAT ARE INNOVATIVE, FUNCTIONAL AND STYLISH.

Wintec Systems windows and doors are an all Australian designed and manufactured product, with modern designs and quality finish at the forefront of the Wintec Systems philosophy.

An ongoing commitment to product development and service to our Australia wide fabricator base ensures that no matter where you are, you have access to the latest designs in the Window and door industry.

ALUMINIUM WINDOWS & DOORS

We have products to suit all areas in Australia – consisting of: Sliding windows, Sliding doors, Awning and Casement windows, Double Hung windows, Louvres, Sliding Multi Track doors, Hinged doors and Bi-folding doors.

“ BUILDING PRODUCTS BEYOND THE STANDARDS ”

WINDOW & DOOR TESTING LABORATORY

Our products are tested to Australian standard AS2047 in NATA accredited laboratory No 14093. This ensures your windows and doors comply with the building code of Australia [BCA] and are suited to your particular location. In line with the BCA requirements Wintec Systems windows and doors carry a 7 year guarantee.

www.wintecsystems.com.au | 07 5535 4477 | 1/34 Township Drive, Burleigh Heads, QLD, 4220

LEADING WINDOW & DOOR SYSTEMS

PRODUCT BROCHURE

AN ULLRICH ALUMINIUM COMPANY



“Building products beyond the standards”



FRASER | SLIDING WINDOW

1. No unfinished or exposed edges
2. Designed especially with weatherability in mind
3. No internal projection of transom or sash sections
4. Greater energy efficiency and acoustic testing results
5. Heavy duty double rollers last longer and operate smoother
6. High quality sealing system ensures low air infiltration rates
7. Available in frame widths of 48mm, 65mm, 75mm & 101.6mm
8. Additional options include the multi-position vent locking system
9. Ergonomically designed handles that operate in the direction of sash movement for ease of use, especially for the elderly and disabled



HUDSON | DOUBLE HUNG WINDOW

STANDARD DOUBLE HUNG FEATURES

1. Built in extruded handles in sash
2. Hollow rails ensure added strength
3. Flush Stiles to jambs ensure clear sight lines
4. Security & insect screens are removable from inside the building

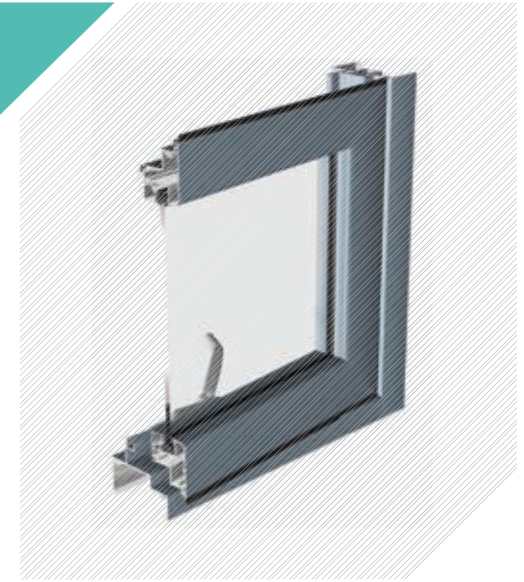
THE FEDERATION [WIDE STILE] FEATURES

5. Wider sash that replicates a timber double hung
6. Dual colour combination options e.g. Sash different to frame



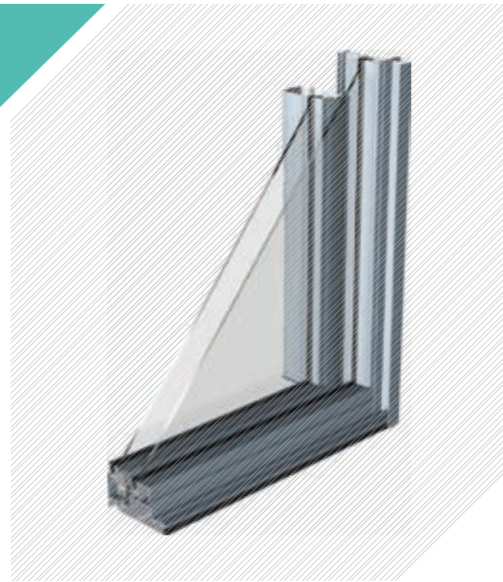
DENNISON | CASEMENT WINDOW

1. Designed to accommodate several glass thicknesses
2. Accommodates friction stays and chain winder options
3. Available in frame widths of: 48mm, 75mm and 101.6mm
4. Hollow mullion and stile sections add strength and security
5. Use of Q'lon seals improve energy, weather and acoustic performance
6. Additional options include: restricted opening, standard or barrel key locking, insect or security screens.



HAMILTON | SLIDING DOOR

1. Heavy duty double rollers and stainless steel bearings
2. The Hamilton is available with a frame width of 103mm
3. Built in security screen tracks mean no "add-ons" necessary
4. High quality sealing system ensures low air infiltration rates
5. Commercial lock stile available for architectural hardware applications
6. Various sill types including low profile available for wheelchair access
7. Available with a frame widths of 101.6mm & 103mm and boasting height capabilities of up to 3m
8. The Hamilton 103mm Sliding Door is proven one of the strongest sliding doors on the market with wind load testing results above 300km/hr



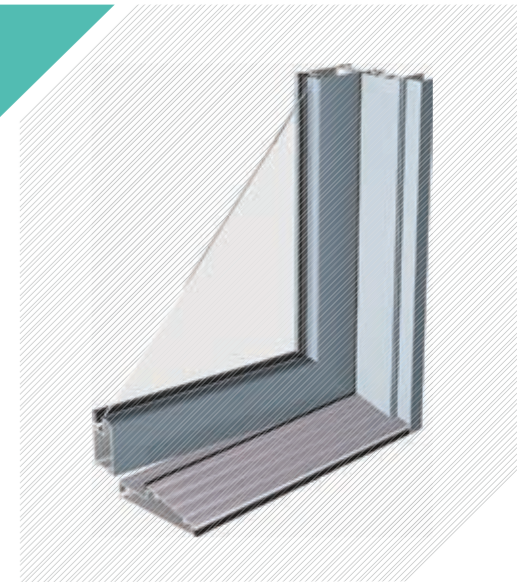
CASUARINA | AWNING WINDOW

1. Designed to accommodate several glass thicknesses
2. Accommodates friction stays and chain winder options
3. Available in frame widths of: 48mm, 75mm and 101.6mm
4. Hollow mullion and stile sections add strength and security
5. Use of Q'lon seals improve energy, weather and acoustic performance
6. Additional options include: restricted opening, standard or barrel key locking, insect or security screens.



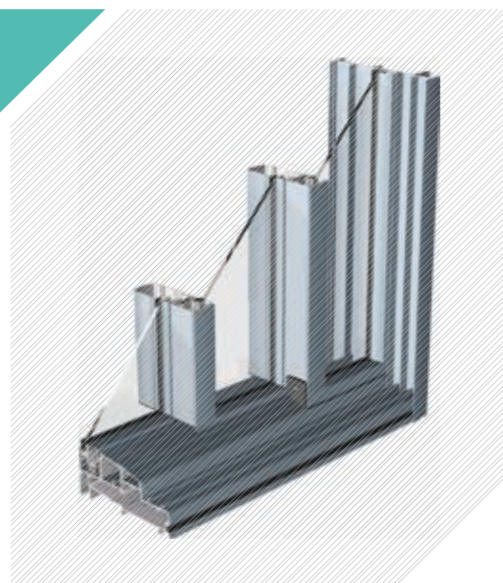
ASPEN | HINGED DOOR

1. Available in a 145mm frame width
2. Total perimeter frame sealing system
3. In-swing and/or out-swing options available
4. Self draining hollow sill feature on door sashes
5. Designed to be air tight, noise and energy efficient
6. Designed to optimise water run-off and wheelchair access
7. Security or insect screens available.



HAMILTON | SLIDING STACKER DOOR

1. Available in 2 sill options - low profile 65mm and low profile 45mm
2. Weatherability and energy efficiency made possible with hollow sills
3. Low rail to sill design and double rollers make the Brooke an ideal choice for stronger glass support and heavy duty use
4. Designed with 2/3 openings to optimise wide open spaces
5. Additional options include insect or security screens, double glazing and commercial lock stile for architectural hardware applications
6. Available with a frame widths of 165mm, 173mm and 235mm.



JARVIS | LOUVRE WINDOW

1. Fits most gallery brands
2. Excellent product for ventilation
3. Available with a frame width of 125mm
4. Built in fly screen provision as part of the frame
5. Accommodates glass, aluminium or timber blades
6. Can be coupled with various other Wintec Systems products
7. Allows for multiple banks of louvres within the same perimeter frame
8. Various operating systems are available including remote control, handle locking bars and manual operation



BEDARRA | BI-FOLD SYSTEM

1. Available with a frame width of 101.6mm
2. Reversible sill allows for inward and/or outward opening options
3. Ensures uninterrupted views without sacrificing strength and safety
4. Marine grade stainless steel used for product longevity and performance
5. Meets the highest demands for energy efficiency and weatherability
6. Additional features include multipoint locking, dust seal on head tracks, and a low profile sill for easy access applications.
7. The bi-fold system is also available as a window which features the same attributes as the Bedarra bi-fold door making it ideal for coastal and exposed locations.
8. The window is available with a frame width of 101.6mm.

