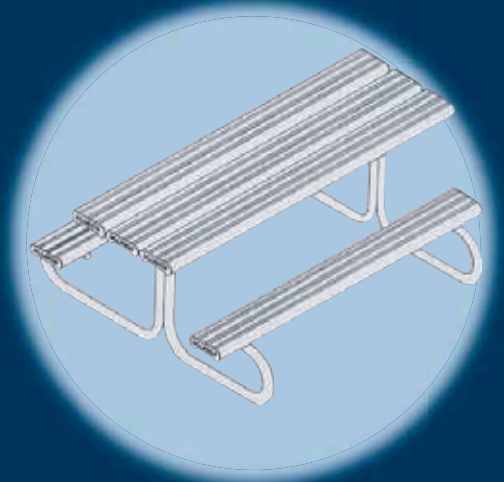




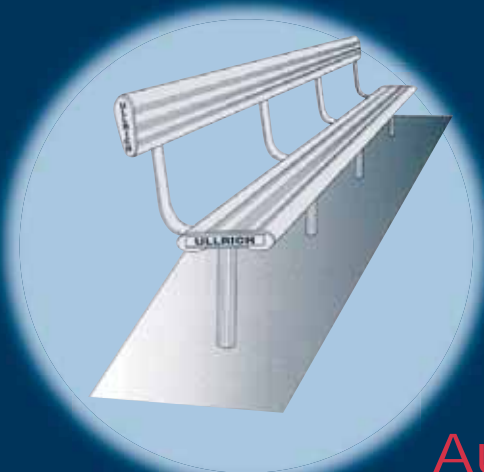
**BENCH SEATING**  
**(WITH OR WITHOUT BACKREST)**



**PARK / PICNIC**  
**6 SEATER**



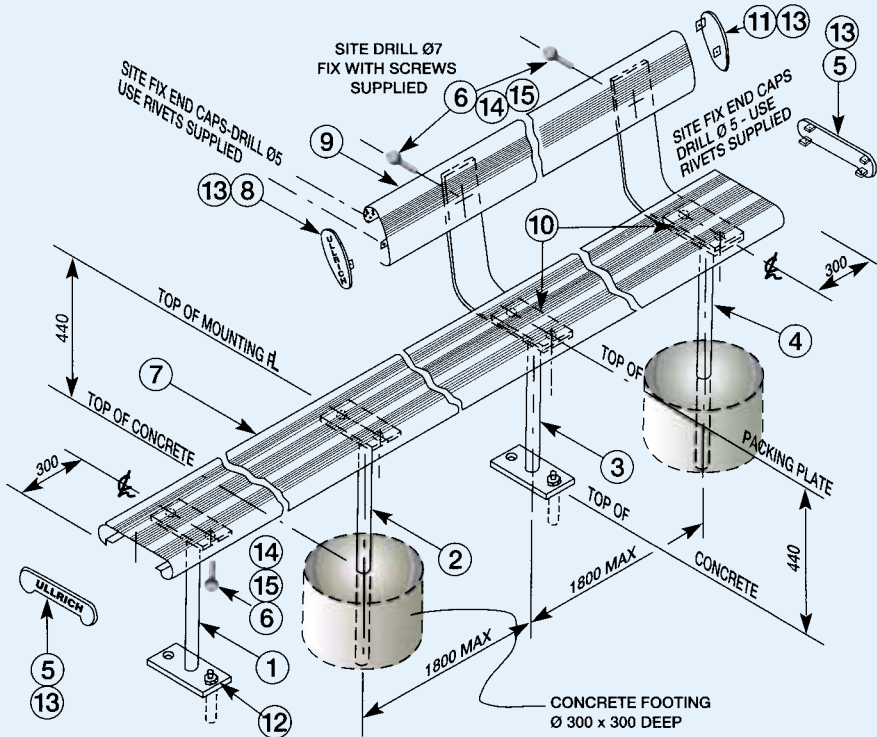
**PORTABLE / STACKABLE**



August 08



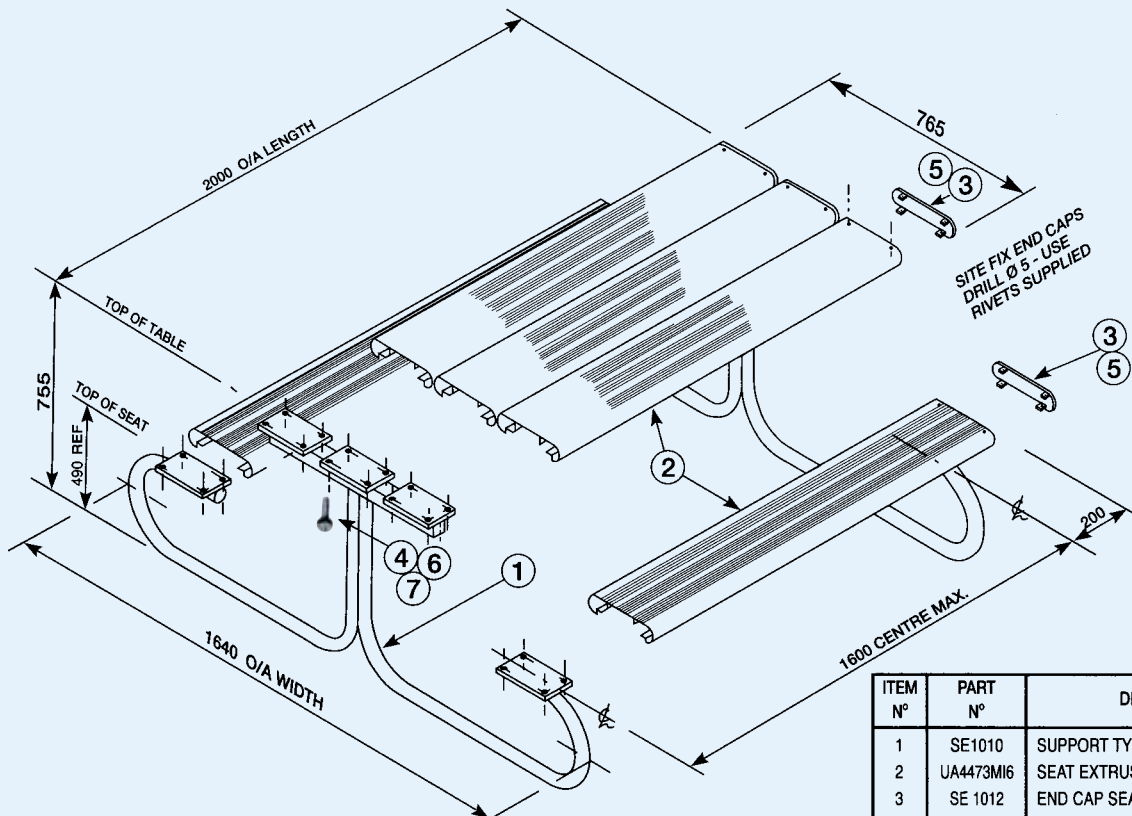
**BENCH SEAT**



ITEM N°	PART N°	DESCRIPTION	N° Req'd
1	SE 1001	SUPPORT TYPE 'A' (FLANGED)	AS REQ
2	SE 1002	SUPPORT TYPE 'B' (CONCRETE)	" "
3	SE 1003	SUPPORT TYPE 'C' (WITH BACK)	" "
4	SE 1004	SUPPORT TYPE 'D' (WITH BACK)	" "
5	SE 1012	END CAP - SEAT	2
6	101M06025S03	BOLT HEX M6 x 25 S.S.	AS REQ
7	UA4473MI2	SEAT EXTRUSION 2m	1
	UA4473MI3	SEAT EXTRUSION 3m	1
	UA4473MI4	SEAT EXTRUSION 4m	1
	UA4473MI5	SEAT EXTRUSION 5m	1
	UA4473MI6	SEAT EXTRUSION 6m	1
8	SE 1013/1	END CAP - BACKREST L-H	" "
9	UA4474MI2	BACKREST EXTRUSION 2m	1
	UA4474MI3	BACKREST EXTRUSION 3m	1
	UA4474MI4	BACKREST EXTRUSION 4m	1
	UA4474MI5	BACKREST EXTRUSION 5m	1
	UA4474MI6	BACKREST EXTRUSION 6m	1
10	SE 1005	PACKER 6mm	" "
11	SE 1013	END CAP - BACKREST R-H	1
12	103M10050S04	DYNABOLTS M10 x 50 S.S.	AS REQ
13	501M4-817S03	RIVET 4.8Ø x 10GL S.S.	" "
14	201M06S04	NUT HEX M6	" "
15	301M06017S04	WASHER FLAT Ø6 S.S.	" "

**STANDARD LENGTHS AVAILABLE 2, 3, 4, 5 AND 6m. WITH OR WITHOUT BACKREST AND SUPPORTS TO SUIT.**

**PARK / PICNIC - 6 SEATER**



ITEM N°	PART N°	DESCRIPTION	N° Req'd
1	SE1010	SUPPORT TYPE 'F'	2
2	UA4473MI6	SEAT EXTRUSION 2m	5
3	SE 1012	END CAP SEAT	10
4	101M06025S03	BOLT HEX M6 x 25 S.S.	40
5	501M4-817S03	RIVET 4.8Ø x 10mm GL S.S.	40
6	201M06S04	NUT HEX M6 S.S.	40
7	301M06017S04	WASHER FLAT Ø6 S.S.	40



**ULLRICH**  
ALUMINIUM

# INSTALLATION / ASSEMBLY DETAILS





Phone for your nearest  
**ULLRICH ALUMINIUM SALES CENTRE**

**AUSTRALIA - 1300 650 075**

**NEW ZEALAND - 0800 500 338**

- ALUMINIUM EXTRUSIONS
- ROLLED PRODUCTS
- FASTENINGS
- LADDERS
- SCAFFOLDS
- ULLTRACLAD CLADDING
- WINTEC WINDOWS & DOORS
- BUILDING PRODUCTS
- DECORATIVE METALS
- TEKNA MACHINERY

**Map key:**  
 + MANUFACTURING  
 ● SALES & DISTRIBUTION  
 \* EXTRUSION PLANT

Representative and franchised operations throughout the South Pacific

ULLRICH ALUMINIUM PTY LTD  
 PO Box 2182 Smithfield NSW 2164  
 185-187 Woodpark Rd Smithfield Australia  
 Tel +61 2 8787 7400 Fax +61 2 9725 2784  
 ullrich@ullrich.com.au www.ullrich.com.au

ULLRICH ALUMINIUM CO LTD  
 PO Box 98 843 SAMC  
 Manukau City 2240 New Zealand  
 Tel +64 9 262 6262 Fax +64 9 262 6265  
 alkalum@uacl.co.nz www.ullrich-aluminium.co.nz